

## 2.5kN Three Point Bending Fixture

This low force bending jig is supplied as standard with a set of three anvils, one upper and two lower

Upper anvils have single radii and Lower anvil sets are reversible with different radii on each side

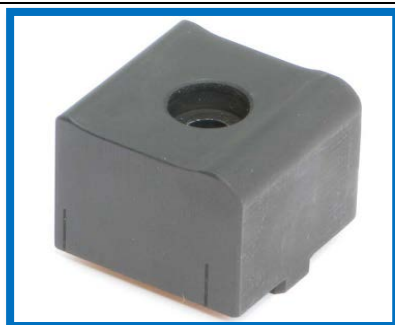
Other anvil sets are also available as additional accessories.

Part Number	01/4104
Span	4mm to 150mm
Upper Anvil Radii in mm	R1, R1.5, R2, R3.2, R5
Lower Anvil radii combinations	R1.5+R2.5 R2+R3 R3.2+R5
Force Rating	2.5kN Maximum
Fixing Method Upper	5/8 inch Female (15.9mm)
Fixing Method Lower	5/8 inch Female (15.9mm)
Material	Aluminium
Temperature Range	- 70 °C to + 180 °C
Weight	0.15Kg (0.33lb) Minimum Load Cell 50N
Notes	



The 01/4104 shown with the single radii upper fixture that fits directly on to a 5/8 inch load cell eye end and the lower fixture with dual radii supports, each support has two radii which can be easily reversed

Lower fixture length 200mm  
Lower radii support height 27mm  
Lower radii support width 30mm  
Total height 65mm



To the left a dual radii support for the lower part of the fixture

To the right a single radii support for the upper part of the fixture



## Accessories

### 2.5kN Three Point Bending Fixture

Part Number	Description
01/4122	Set of 2 anvils for lower support anvil has 2 radii 1.5mm + 2.5mm
01/4123	Set of 2 anvils for lower support anvil has 2 radii 2mm + 3mm
01/4124	Set of 2 anvils for lower support anvil has 2 radii 2mm + 5mm
01/4125	Set of 2 anvils for lower support anvil has 2 radii 3.2mm + 5mm
01/4126	Set of 2 anvils for lower support anvil has 2 radii 4mm + 5mm
01/4127	Set of 2 anvils for lower support anvil has single radii 0.5mm
01/4128	Set of 2 anvils for lower support anvil has single radii 1mm
01/4129	Set of 2 anvils for lower support anvil has single radii 2mm
01/4130	Set of 2 anvils for lower support anvil has single radii 3.2mm
01/4131	Set of 2 anvils for lower support anvil has single radii 5mm
01/4132	Set of 2 anvils for lower support anvil has single radii 10mm
01/4133	Single anvil for the upper support 1mm radii
01/4134	Single anvil for the upper support 1.5mm radii
01/4135	Single anvil for the upper support 2mm radii
01/4136	Single anvil for the upper support 3.2mm radii
01/4137	Single anvil for the upper support 5mm radii
01/4143	Upper aluminium fixture to convert 3 point to 4 point A duplicate lower fixture that can be used as an upper fixture to convert a 3 point bending fixture to a 4 point supplied with 2 supports single radii



To the left a single radii support set

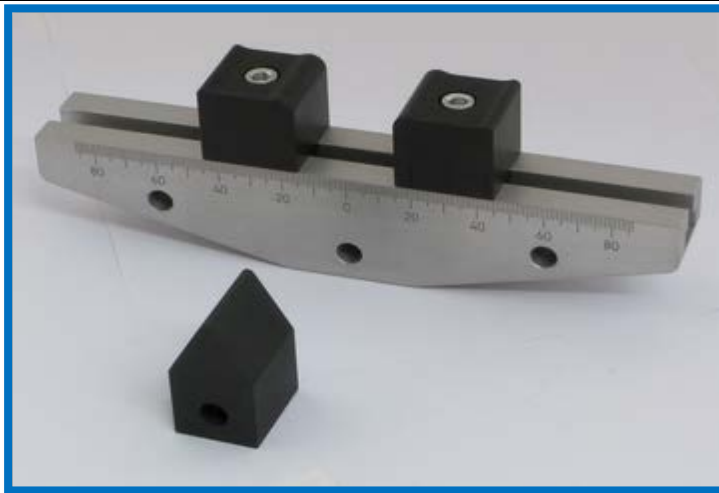
## 10kN Three Point Bending Fixture

This low force bending jig is supplied as standard with a set of three anvils, one upper and two lower

Upper anvils have single radii and Lower anvil sets are reversible with different radii on each side

Other anvil sets are also available as additional accessories.

Part Number	01/4105
Span	4mm to 150mm
Upper Anvil Radii in mm	R1, R1.5, R2, R3.2, R5
Lower Anvil radii combinations	R1.5+R2.5 R2+R3 R3.2+R5
Force Rating	10kN Maximum
Fixing Method Upper	5/8 inch Female (15.9mm)
Fixing Method Lower	5/8 inch Female (15.9mm)
Material	Steel
Temperature Range	- 70 °C to + 180 °C
Weight	0.15Kg (0.33lb) Minimum Load Cell 50N
Notes	



The 01/4105 shown with the single radii upper fixture that fits directly on to a 5/8 inch load cell eye end and the lower fixture with dual radii supports, each support has two radii which can be easily reversed

Lower fixture length 200mm  
Lower radii support height 27mm  
Lower radii support width 30mm  
Total height 65mm



To the left a dual radii support for the lower part of the fixture

To the right a single radii support for the upper part of the fixture



## Accessories

### 10kN Three Point Bending Fixture

Part Number	Description
01/4122	Set of 2 anvils for lower support anvil has 2 radii 1.5mm + 2.5mm
01/4123	Set of 2 anvils for lower support anvil has 2 radii 2mm + 3mm
01/4124	Set of 2 anvils for lower support anvil has 2 radii 2mm + 5mm
01/4125	Set of 2 anvils for lower support anvil has 2 radii 3.2mm + 5mm
01/4126	Set of 2 anvils for lower support anvil has 2 radii 4mm + 5mm
01/4127	Set of 2 anvils for lower support anvil has single radii 0.5mm
01/4128	Set of 2 anvils for lower support anvil has single radii 1mm
01/4129	Set of 2 anvils for lower support anvil has single radii 2mm
01/4130	Set of 2 anvils for lower support anvil has single radii 3.2mm
01/4131	Set of 2 anvils for lower support anvil has single radii 5mm
01/4132	Set of 2 anvils for lower support anvil has single radii 10mm
01/4133	Single anvil for the upper support 1mm radii
01/4134	Single anvil for the upper support 1.5mm radii
01/4135	Single anvil for the upper support 2mm radii
01/4136	Single anvil for the upper support 3.2mm radii
01/4137	Single anvil for the upper support 5mm radii
01/4144	Upper steel fixture to convert 3 point to 4 point A duplicate lower fixture that can be used as an upper fixture to convert a 3 point bending fixture to a 4 point supplied with 2 supports single radii



To the left a single radii support set

## 10kN Three Point Bending Fixture

This low force bending jig is supplied as standard with a set of three anvils, one upper and two lower

Upper anvils have single radii and Lower anvil sets are reversible with different radii on each side

Other anvil sets are also available as additional accessories.

Part Number	01/4106
Span	4mm to 300mm
Upper Anvil Radii in mm	R1, R1.5, R2, R3.2, R5
Lower Anvil radii combinations	R1.5+R2.5 R2+R3 R3.2+R5
Force Rating	10kN Maximum
Fixing Method Upper	5/8 inch Female (15.9mm)
Fixing Method Lower	5/8 inch Female (15.9mm)
Material	Steel
Temperature Range	- 70 °C to + 180 °C
Weight	0.15Kg (0.33lb) Minimum Load Cell 50N
Notes	



The 01/4106 shown with the single radii upper fixture that fits directly on to a 5/8 inch load cell eye end and the lower fixture with dual radii supports, each support has two radii which can be easily reversed

Lower fixture length 300mm  
Lower radii support height 27mm  
Lower radii support width 30mm  
Total height 65mm



To the left a dual radii support for the lower part of the fixture

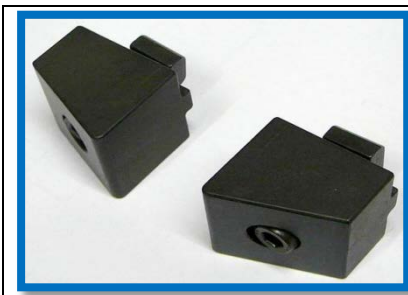
To the right a single radii support for the upper part of the fixture



## Accessories

### 10kN Three Point Bending Fixture

Part Number	Description
01/4122	Set of 2 anvils for lower support anvil has 2 radii 1.5mm + 2.5mm
01/4123	Set of 2 anvils for lower support anvil has 2 radii 2mm + 3mm
01/4124	Set of 2 anvils for lower support anvil has 2 radii 2mm + 5mm
01/4125	Set of 2 anvils for lower support anvil has 2 radii 3.2mm + 5mm
01/4126	Set of 2 anvils for lower support anvil has 2 radii 4mm + 5mm
01/4127	Set of 2 anvils for lower support anvil has single radii 0.5mm
01/4128	Set of 2 anvils for lower support anvil has single radii 1mm
01/4129	Set of 2 anvils for lower support anvil has single radii 2mm
01/4130	Set of 2 anvils for lower support anvil has single radii 3.2mm
01/4131	Set of 2 anvils for lower support anvil has single radii 5mm
01/4132	Set of 2 anvils for lower support anvil has single radii 10mm
01/4133	Single anvil for the upper support 1mm radii
01/4134	Single anvil for the upper support 1.5mm radii
01/4135	Single anvil for the upper support 2mm radii
01/4136	Single anvil for the upper support 3.2mm radii
01/4137	Single anvil for the upper support 5mm radii
01/4144	Upper steel fixture to convert 3 point to 4 point A duplicate lower fixture that can be used as an upper fixture to convert a 3 point bending fixture to a 4 point supplied with 2 supports single radii



To the left a single radii support set

## 2.5kN Four Point Bending Fixture

This low force four point bending jig is supplied as standard with a set of four anvils, two for the upper and two for the lower

Lower Anvils are reversible with different radii on each side

Upper Anvils are single radii

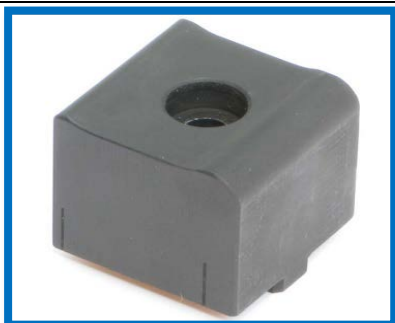
Other anvil sets are also available as additional accessories.

Part Number	01/4107
Span	4mm to 150mm
Upper Anvil Radii (choose one)	R1, R1.5, R2, R3.2, R5
Lower Anvil Radii combination (choose one)	R1.5+R2.5 R2+R3 R3.2+R5
Force Rating	2.5kN Maximum
Fixing Method Upper	5/8 inch Female (15.9mm)
Fixing Method Lower	5/8 inch Female (15.9mm)
Material	Aluminium
Temperature Range	- 70 °C to + 180 °C
Weight	1Kg (2.2lb) Minimum Load Cell 100N
Notes	



The 01/4107 shown that fits directly on to a 5/8 inch load cell eye end and the other fixture that fits on the machine eye end, each fixture has two supports

Fixture length 200mm  
Radii support height 27mm  
Radii support width 30mm  
Total height 65mm



To the left a dual radii support for the lower part of the fixture

To the right the single radii for the upper fixture



## Accessories

### 2.5kN Four Point Bending Fixture

Part Number	Description
01/4122	Set of 2 anvils for one support anvil has 2 radii 1.5mm + 2.5mm
01/4123	Set of 2 anvils for one support anvil has 2 radii 2mm + 3mm
01/4124	Set of 2 anvils for one support anvil has 2 radii 2mm + 5mm
01/4125	Set of 2 anvils for one support anvil has 2 radii 3.2mm + 5mm
01/4126	Set of 2 anvils for one support anvil has 2 radii 4mm + 5mm
01/4127	Set of 2 anvils for one support anvil has single radii 0.5mm
01/4128	Set of 2 anvils for one support anvil has single radii 1mm
01/4129	Set of 2 anvils for one support anvil has single radii 2mm
01/4130	Set of 2 anvils for one support anvil has single radii 3.2mm
01/4131	Set of 2 anvils for one support anvil has single radii 5mm
01/4132	Set of 2 anvils for one support anvil has single radii 10mm



## 10kN Four Point Bending Fixture

This low force four point bending jig is supplied as standard with a set of four anvils, two for the upper and two for the lower

Lower Anvils are reversible with different radii on each side

Upper Anvils are single radii

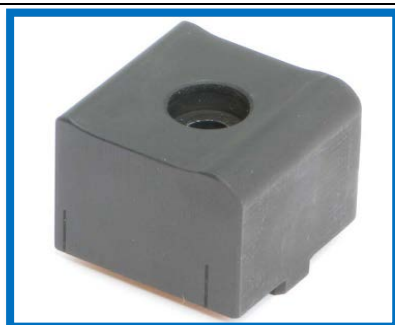
Other anvil sets are also available as additional accessories.

Part Number	01/4108
Span	4mm to 150mm
Upper Anvil Radii (choose one)	R1, R1.5, R2, R3.2, R5
Lower Anvil Radii combination (choose one)	R1.5+R2.5 R2+R3 R3.2+R5
Force Rating	10kN Maximum
Fixing Method Upper	5/8 inch Female (15.9mm)
Fixing Method Lower	5/8 inch Female (15.9mm)
Material	Steel
Temperature Range	- 70 °C to + 180 °C
Weight	4Kg (2.2lb) Minimum Load Cell 250N
Notes	



The 01/4108 shown that fits directly on to a 5/8 inch load cell eye end and the other fixture that fits on the machine eye end, each fixture has two supports

Fixture length 200mm  
Radii support height 27mm  
Radii support width 30mm  
Total height 65mm



To the left a dual radii support for the lower part of the fixture

To the right the single radii for the upper fixture



## Accessories

### 10kN Four Point Bending Fixture

Part Number	Description
01/4122	Set of 2 anvils for one support anvil has 2 radii 1.5mm + 2.5mm
01/4123	Set of 2 anvils for one support anvil has 2 radii 2mm + 3mm
01/4124	Set of 2 anvils for one support anvil has 2 radii 2mm + 5mm
01/4125	Set of 2 anvils for one support anvil has 2 radii 3.2mm + 5mm
01/4126	Set of 2 anvils for one support anvil has 2 radii 4mm + 5mm
01/4127	Set of 2 anvils for one support anvil has single radii 0.5mm
01/4128	Set of 2 anvils for one support anvil has single radii 1mm
01/4129	Set of 2 anvils for one support anvil has single radii 2mm
01/4130	Set of 2 anvils for one support anvil has single radii 3.2mm
01/4131	Set of 2 anvils for one support anvil has single radii 5mm
01/4132	Set of 2 anvils for one support anvil has single radii 10mm

## 10kN Four Point Bending Fixture

This low force four point bending jig is supplied as standard with a set of four anvils, two for the upper and two for the lower

Lower Anvils are reversible with different radii on each side

Upper Anvils are single radii

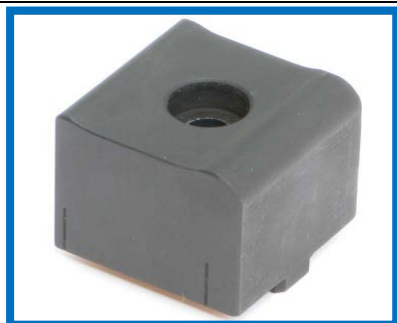
Other anvil sets are also available as additional accessories.

Part Number	01/4109
Span	4mm to 300mm
Upper Anvil Radii (choose one)	R1, R1.5, R2, R3.2, R5
Lower Anvil Radii combination (choose one)	R1.5+R2.5 R2+R3 R3.2+R5
Force Rating	10kN Maximum
Fixing Method Upper	5/8 inch Female (15.9mm)
Fixing Method Lower	5/8 inch Female (15.9mm)
Material	Steel
Temperature Range	- 70 °C to + 180 °C
Weight	5Kg (11lb) Minimum Load Cell 250N
Notes	



The 01/4109 shown that fits directly on to a 5/8 inch load cell eye end and the other fixture that fits on the machine eye end, each fixture has two supports

Fixture length 300mm  
Radii support height 27mm  
Radii support width 30mm  
Total height 65mm



To the left a dual radii support for the lower part of the fixture

To the right the single radii for the upper fixture



## Accessories

### 10kN Four Point Bending Fixture

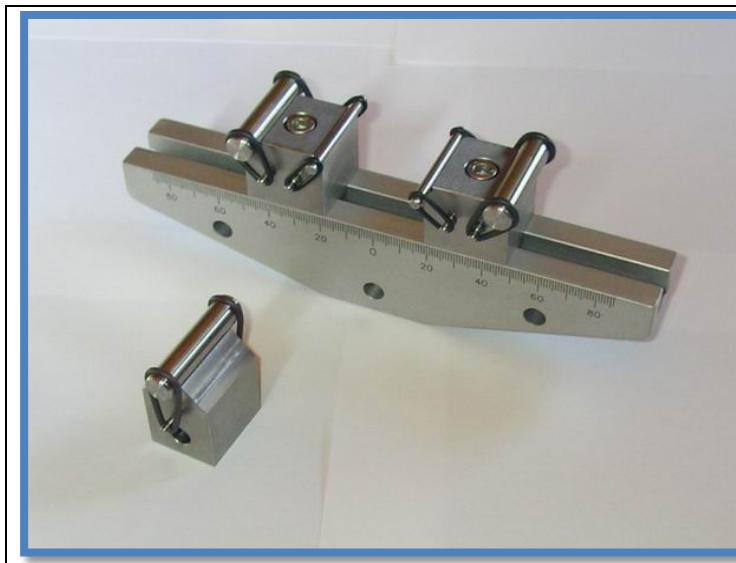
Part Number	Description
01/4122	Set of 2 anvils for one support anvil has 2 radii 1.5mm + 2.5mm
01/4123	Set of 2 anvils for one support anvil has 2 radii 2mm + 3mm
01/4124	Set of 2 anvils for one support anvil has 2 radii 2mm + 5mm
01/4125	Set of 2 anvils for one support anvil has 2 radii 3.2mm + 5mm
01/4126	Set of 2 anvils for one support anvil has 2 radii 4mm + 5mm
01/4127	Set of 2 anvils for one support anvil has single radii 0.5mm
01/4128	Set of 2 anvils for one support anvil has single radii 1mm
01/4129	Set of 2 anvils for one support anvil has single radii 2mm
01/4130	Set of 2 anvils for one support anvil has single radii 3.2mm
01/4131	Set of 2 anvils for one support anvil has single radii 5mm
01/4132	Set of 2 anvils for one support anvil has single radii 10mm

## 2.5kN Three Point Bending Fixture Exchangeable Rollers

This low force bending jig is supplied as standard with a single upper support with a roller. The lower supports are fitted with two rollers. Rollers are interchangeable and selectable and two rollers per support are supplied

Other roller sets are also available as additional accessories.

Part Number	01/4110
Span	4mm to 150mm
Upper Roller Diameter in mm	1,2,3,4,5,6,6.35,8,10,12 and 12.7
Lower Roller Diameter in mm	1,2,3,4,5,6,6.35,8,10,12 and 12.7
Force Rating	2.5kN Maximum
Fixing Method Upper	5/8 inch Female (15.9mm)
Fixing Method Lower	5/8 inch Female (15.9mm)
Material	Aluminium
Temperature Range	Ambient
Weight	0.15Kg (0.33lb) Minimum Load Cell 50N
Notes	



The 01/4110 shown with the single roller upper fixture that fits directly on to a 5/8 inch load cell eye end and the lower fixture with dual roller supports, each support has two rollers which can be easily reversed

Lower fixture length 200mm  
Lower support height 27mm  
Lower roller support width 30mm  
Total height 67mm to center of roller diameter



To the left a dual roller support for the lower part of the fixture

To the right a single roller support for the upper part of the fixture



## Accessories

### 2.5kN Three Point Bending Fixture Exchangeable Rollers

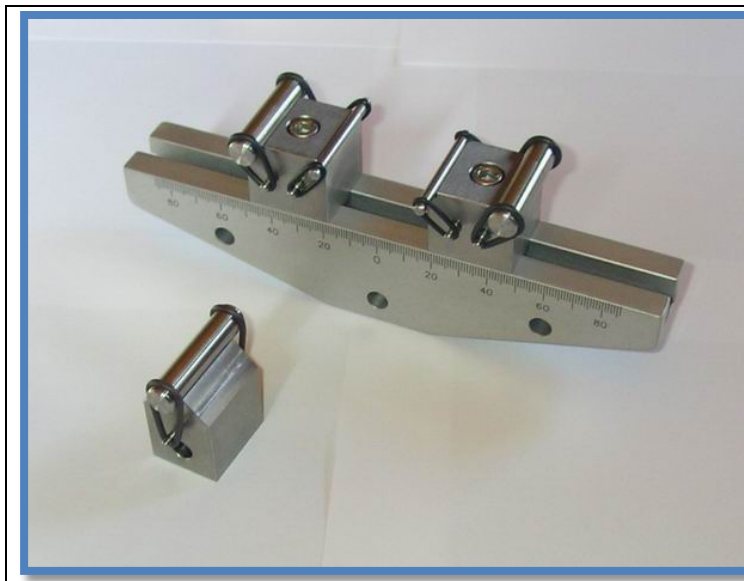
Part Number	Description
01/4138	Additional V Anvil For upper support to accept 1mm - 3.2mm Rollers
01/4139	Additional V Anvil For upper support to accept 4mm - 12.7mm Rollers
01/4140	Additional Rollers, Set of 3 Rollers Available in 1mm, 2mm, 3mm, 4mm, 5mm, 6mm, 6.35mm, 8mm, 10mm, 12mm and 12.7mm
01/4142	10mm roller 100mm wide
01/4143	Upper aluminium fixture to convert 3 point to 4 point A duplicate lower fixture that can be used as an upper fixture to convert a 3 point bending fixture to a 4 point

# 10kN Three Point Bending Fixture Exchangeable Rollers

This low force bending jig is supplied as standard with a single upper support with a roller. The lower supports are fitted with two rollers. Rollers are interchangeable and selectable and two rollers per support are supplied

Other roller sets are also available as additional accessories.

Part Number	01/4111
Span	4mm to 150mm
Upper Roller Diameter in mm	1,2,3,4,5,6,6.35,8,10,12 and 12.7
Lower Roller Diameter in mm	1,2,3,4,5,6,6.35,8,10,12 and 12.7
Force Rating	10kN Maximum
Fixing Method Upper	5/8 inch Female (15.9mm)
Fixing Method Lower	5/8 inch Female (15.9mm)
Material	Steel
Temperature Range	Ambient
Weight	0.15Kg (0.33lb) Minimum Load Cell 10N
Notes	



The 01/4111 shown with the single roller upper fixture that fits directly on to a 5/8 inch load cell eye end and the lower fixture with dual roller supports, each support has two rollers which can be easily reversed

Lower fixture length 200mm  
Lower support height 27mm  
Lower roller support width 30mm  
Total height 67mm to center of roller diameter



To the left a dual roller support for the lower part of the fixture

To the right a single roller support for the upper part of the fixture



## Accessories

### 10kN Three Point Bending Fixture Exchangeable Rollers

Part Number	Description
01/4138	Additional V Anvil For upper support to accept 1mm - 3.2mm Rollers
01/4139	Additional V Anvil For upper support to accept 4mm - 12.7mm Rollers
01/4140	Additional Rollers, Set of 3 Rollers Available in 1mm, 2mm, 3mm, 4mm, 5mm, 6mm, 6.35mm, 8mm, 10mm, 12mm and 12.7mm
01/4142	10mm roller 100mm wide
01/4144	Upper steel fixture to convert 3 point to 4 point A duplicate lower fixture that can be used as an upper fixture to convert a 3 point bending fixture to a 4 point

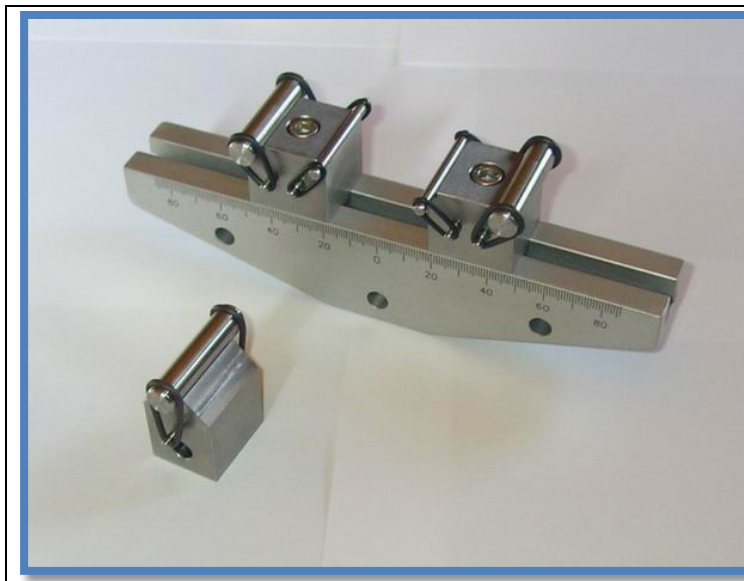


# 10kN Three Point Bending Fixture Exchangeable Rollers

This low force bending jig is supplied as standard with a single upper support with a roller. The lower supports are fitted with two rollers. Rollers are interchangeable and selectable and two rollers per support are supplied

Other roller sets are also available as additional accessories.

Part Number	01/4112
Span	4mm to 300mm
Upper Roller Diameter in mm	1,2,3,4,5,6,6.35,8,10,12 and 12.7
Lower Roller Diameter in mm	1,2,3,4,5,6,6.35,8,10,12 and 12.7
Force Rating	10kN Maximum
Fixing Method Upper	5/8 inch Female (15.9mm)
Fixing Method Lower	5/8 inch Female (15.9mm)
Material	Steel
Temperature Range	Ambient
Weight	5Kg (11lb) Minimum Load Cell 250N
Notes	



The 01/4112 shown with the single roller upper fixture that fits directly on to a 5/8 inch load cell eye end and the lower fixture with dual roller supports, each support has two rollers which can be easily reversed

Lower fixture length 300mm  
Lower support height 27mm  
Lower roller support width 30mm  
Total height 67mm to center of roller diameter



To the left a dual roller support for the lower part of the fixture

To the right a single roller support for the upper part of the fixture



## Accessories

### 10kN Three Point Bending Fixture Exchangeable Rollers

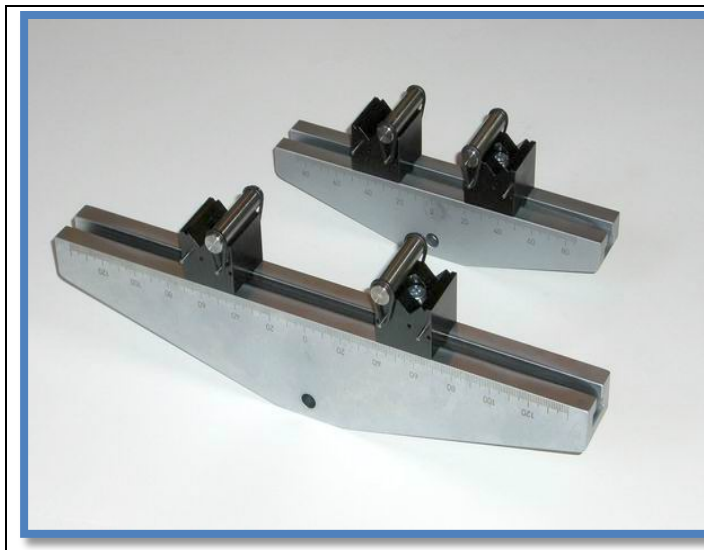
Part Number	Description
01/4138	Additional V Anvil For upper support to accept 1mm - 3.2mm Rollers
01/4139	Additional V Anvil For upper support to accept 4mm - 12.7mm Rollers
01/4140	Additional Rollers, Set of 3 Rollers Available in 1mm, 2mm, 3mm, 4mm, 5mm, 6mm, 6.35mm, 8mm, 10mm, 12mm and 12.7mm
01/4142	10mm roller 100mm wide
01/4144	Upper steel fixture to convert 3 point to 4 point A duplicate lower fixture that can be used as an upper fixture to convert a 3 point bending fixture to a 4 point

## 2.5kN Four Point Bending Fixture Exchangeable Rollers

This low force bending jig is supplied as standard with two support rollers per upper and lower fixture. Upper and lower fixtures are identical. The supports are fitted with two rollers. Rollers are interchangeable and selectable and two rollers per support are supplied

Other roller sets are also available as additional accessories.

Part Number	01/4113
Span	4mm to 150mm
Upper Roller Diameter in mm	1,2,3,4,5,6,6.35,8,10,12 and 12.7
Lower Roller Diameter in mm	1,2,3,4,5,6,6.35,8,10,12 and 12.7
Force Rating	2.5kN
Fixing Method Upper	5/8 inch Female (15.9mm)
Fixing Method Lower	5/8 inch Female (15.9mm)
Material	Aluminium
Temperature Range	Ambient
Weight	1kg (2.2lb) Minimum Load Cell 250N
Notes	



The 01/4113 that fits directly on to a 5/8 inch load cell eye end and the lower fixture that fits on the machine eye end

Lower and upper fixture length 200mm  
Lower and upper support height 27mm  
Lower and upper support width 30mm  
Total height 67mm to center of roller diameter



To the left a dual roller support for the upper or lower fixture

To the right fitted with one roller



## Accessories

### 2.5kN Four Point Bending Fixture Exchangeable Rollers

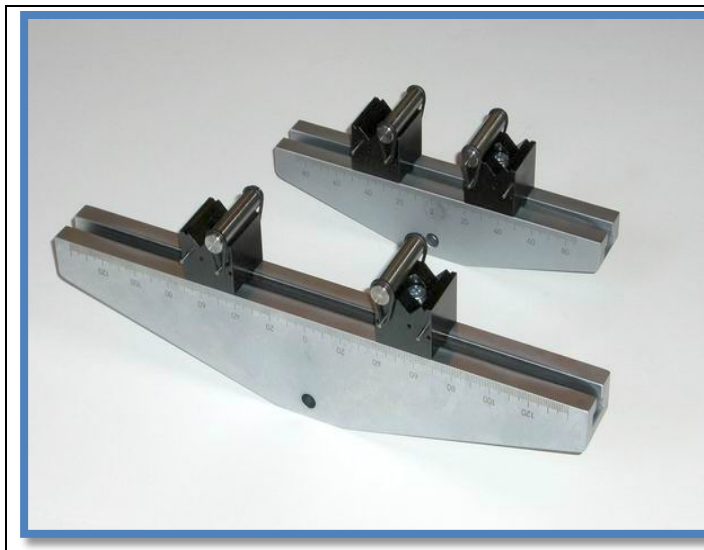
Part Number	Description
01/4138	Additional V Anvil For upper support to accept 1mm - 3.2mm Rollers to convert to 3 point
01/4139	Additional V Anvil For upper support to accept 4mm - 12.7mm Rollers to convert to 3 point
01/4141	Additional Rollers, Set of 4 Rollers Available in 1mm, 2mm, 3mm, 4mm, 5mm, 6mm, 6.35mm, 8mm, 10mm, 12mm and 12.7mm
01/4142	10mm roller 100mm wide

## 10kN Four Point Bending Fixture Exchangeable Rollers

This low force bending jig is supplied as standard with two support rollers per upper and lower fixture. Upper and lower fixtures are identical. The supports are fitted with two rollers. Rollers are interchangeable and selectable and two rollers per support are supplied

Other roller sets are also available as additional accessories.

Part Number	01/4114
Span	4mm to 150mm
Upper Roller Diameter in mm	1,2,3,4,5,6,6.35,8,10,12 and 12.7
Lower Roller Diameter in mm	1,2,3,4,5,6,6.35,8,10,12 and 12.7
Force Rating	10kN
Fixing Method Upper	5/8 inch Female (15.9mm)
Fixing Method Lower	5/8 inch Female (15.9mm)
Material	Steel
Temperature Range	Ambient
Weight	5kg (11lb) Minimum Load Cell 250N
Notes	



The 01/4114 that fits directly on to a 5/8 inch load cell eye end and the lower fixture that fits on the machine eye end

Lower and upper fixture length 200mm  
Lower and upper support height 27mm  
Lower and upper support width 30mm  
Total height 67mm to center of roller diameter



To the left a dual roller support for the upper or lower fixture

To the right fitted with one roller



## Accessories

### 10kN Four Point Bending Fixture Exchangeable Rollers

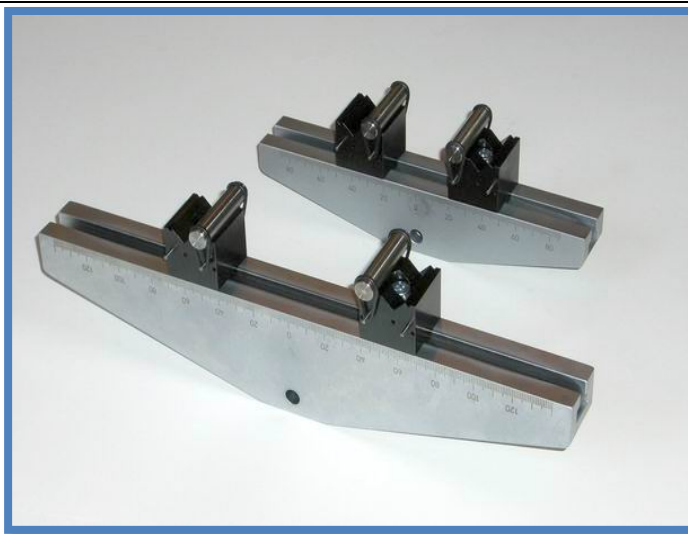
Part Number	Description
01/4138	Additional V Anvil For upper support to accept 1mm - 3.2mm Rollers to convert to 3 point
01/4139	Additional V Anvil For upper support to accept 4mm - 12.7mm Rollers to convert to 3 point
01/4141	Additional Rollers, Set of 4 Rollers Available in 1mm, 2mm, 3mm, 4mm, 5mm, 6mm, 6.35mm, 8mm, 10mm, 12mm and 12.7mm
01/4142	10mm roller 100mm wide

## 10kN Four Point Bending Fixture Exchangeable Rollers

This low force bending jig is supplied as standard with two supports with rollers per upper and lower fixture. Upper and lower fixtures are identical. The supports are fitted with two rollers. Rollers are interchangeable and selectable and two rollers per support are supplied

Other roller sets are also available as additional accessories.

Part Number	01/4115
Span	4mm to 300mm
Upper Roller Diameter in mm	1,2,3,4,5,6,6.35,8,10,12 and 12.7
Lower Roller Diameter in mm	1,2,3,4,5,6,6.35,8,10,12 and 12.7
Force Rating	10kN Maximum
Fixing Method Upper	5/8 inch Female (15.9mm)
Fixing Method Lower	5/8 inch Female (15.9mm)
Material	Steel
Temperature Range	Ambient
Weight	5kg (11lb) Minimum Load Cell 250N
Notes	



The 01/4115 that fits directly on to a 5/8 inch load cell eye end and the lower fixture that fits on the machine eye end

Lower and upper fixture length 300mm  
Lower and upper support height 27mm  
Lower and upper support width 30mm  
Total height 67mm to center of roller diameter



To the left a dual roller support for the upper or lower fixture

To the right fitted with one roller



## Accessories

### 10kN Four Point Bending Fixture Exchangeable Rollers

Part Number	Description
01/4138	Additional V Anvil For upper support to accept 1mm - 3.2mm Rollers to convert to 3 point
01/4139	Additional V Anvil For upper support to accept 4mm - 12.7mm Rollers to convert to 3 point
01/4141	Additional Rollers, Set of 4 Rollers Available in 1mm, 2mm, 3mm, 4mm, 5mm, 6mm, 6.35mm, 8mm, 10mm, 12mm and 12.7mm
01/4142	10mm roller 100mm wide

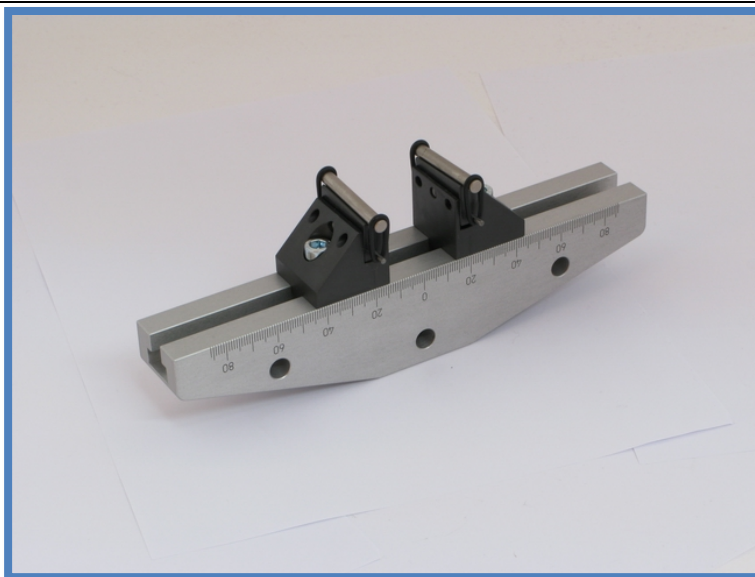


## 2.5kN Three Point Bending Fixture Articulating Rollers

This low force bending jig is supplied as standard with a single upper support with one articulating roller. Each lower support is fitted with one articulating roller. Rollers are interchangeable and selectable and one roller per support are supplied

Other roller sets are also available as additional accessories.

Part Number	01/4116
Span	4mm to 150mm
Upper roller diameter in mm	1,2,3,4,5,6,6.35,8,10,12 and 12.7
Lower roller diameter in mm	1,2,3,4,5,6,6.35,8,10,12 and 12.7
Force Rating	2.5kN
Fixing Method Upper	5/8 inch Female (15.9mm)
Fixing Method Lower	5/8 inch Female (15.9mm)
Material	Aluminium
Temperature Range	Ambient
Weight	0.15Kg (0.33lb) Minimum Load Cell 50N
Notes	



The 01/4116 lower fixture that fits directly on to a 5/8 inch load cell eye end

Lower fixture length 200mm  
Lower support height 27mm  
Lower roller support width 30mm  
Total height 67mm to center of roller diameter



To the left a dual roller support for the lower part of the fixture

To the right a single roller support for the upper part of the fixture



## Accessories

### 2.5kN Three Point Bending Fixture Articulating Rollers

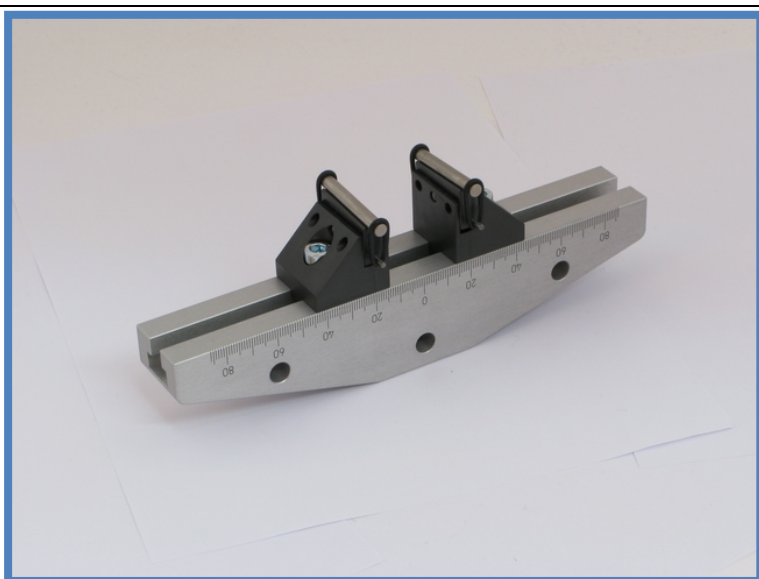
Part Number	Description
01/4138	Additional V Anvil For upper support to accept 1mm - 3.2mm Rollers
01/4139	Additional V Anvil For upper support to accept 4mm - 12.7mm Rollers
01/4140	Additional Rollers, Set of 3 Rollers Available in 1mm, 2mm, 3mm, 4mm, 5mm, 6mm, 6.35mm, 8mm, 10mm, 12mm and 12.7mm
01/4142	10mm roller 100mm wide
01/4143	Upper aluminium fixture to convert 3 point to 4 point A duplicate lower fixture that can be used as an upper fixture to convert a 3 point bending fixture to a 4 point

## 10kN Three Point Bending Fixture Articulating Rollers

This low force bending jig is supplied as standard with a single upper support with one articulating roller. Each lower support is fitted with one articulating roller. Rollers are interchangeable and selectable and one roller per support are supplied

Other roller sets are also available as additional accessories.

Part Number	01/4117
Span	4mm to 150mm
Upper roller diameter in mm	1,2,3,4,5,6,6.35,8,10,12 and 12.7
Lower roller diameter in mm	1,2,3,4,5,6,6.35,8,10,12 and 12.7
Force Rating	10kN Maximum
Fixing Method Upper	5/8 inch Female (15.9mm)
Fixing Method Lower	5/8 inch Female (15.9mm)
Material	Steel
Temperature Range	Ambient
Weight	0.15Kg (0.33lb) Minimum Load Cell 50N
Notes	



The 01/4117 lower fixture that fits directly on to a 5/8 inch load cell eye end

Lower fixture length 200mm  
Lower support height 27mm  
Lower roller support width 30mm  
Total height 67mm to center of roller diameter



To the left a dual roller support for the lower part of the fixture

To the right a single roller support for the upper part of the fixture



## Accessories

### 10kN Three Point Bending Fixture Articulating Rollers

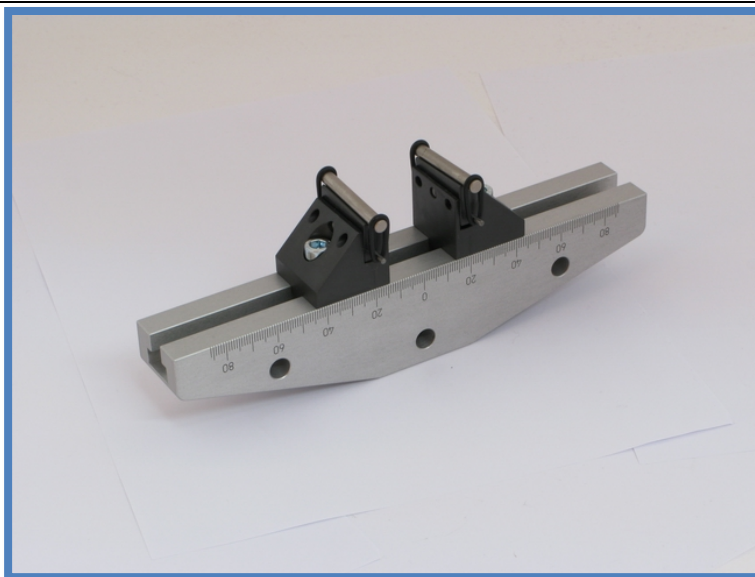
Part Number	Description
01/4138	Additional V Anvil For upper support to accept 1mm - 3.2mm Rollers
01/4139	Additional V Anvil For upper support to accept 4mm - 12.7mm Rollers
01/4140	Additional Rollers, Set of 3 Rollers Available in 1mm, 2mm, 3mm, 4mm, 5mm, 6mm, 6.35mm, 8mm, 10mm, 12mm and 12.7mm
01/4142	10mm roller 100mm wide
01/4144	Upper steel fixture to convert 3 point to 4 point A duplicate lower fixture that can be used as an upper fixture to convert a 3 point bending fixture to a 4 point

## 10kN Three Point Bending Fixture Articulating Rollers

This low force bending jig is supplied as standard with a single upper support with one articulating roller. Each lower support is fitted with one articulating roller. Rollers are interchangeable and selectable and one roller per support are supplied

Other roller sets are also available as additional accessories.

Part Number	01/4118
Span	4mm to 300mm
Upper roller diameter in mm	1,2,3,4,5,6,6.35,8,10,12 and 12.7
Lower roller diameter in mm	1,2,3,4,5,6,6.35,8,10,12 and 12.7
Force Rating	10kN
Fixing Method Upper	5/8 inch Female (15.9mm)
Fixing Method Lower	5/8 inch Female (15.9mm)
Material	Steel
Temperature Range	Ambient
Weight	0.15Kg (0.33lb) Minimum Load Cell 50N
Notes	



The 01/4118 lower fixture that fits directly on to a 5/8 inch load cell eye end

Lower fixture length 300mm  
Lower support height 27mm  
Lower roller support width 30mm  
Total height 67mm to center of roller diameter



To the left a dual roller support for the lower part of the fixture

To the right a single roller support for the upper part of the fixture



## Accessories

### 10kN Three Point Bending Fixture Articulating Rollers

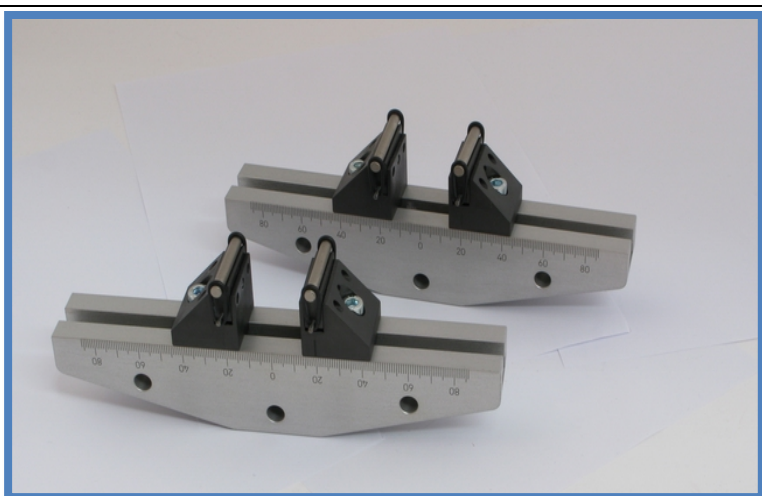
Part Number	Description
01/4138	Additional V Anvil For upper support to accept 1mm - 3.2mm Rollers
01/4139	Additional V Anvil For upper support to accept 4mm - 12.7mm Rollers
01/4140	Additional Rollers, Set of 3 Rollers Available in 1mm, 2mm, 3mm, 4mm, 5mm, 6mm, 6.35mm, 8mm, 10mm, 12mm and 12.7mm
01/4142	10mm roller 100mm wide
01/4144	Upper steel fixture to convert 3 point to 4 point A duplicate lower fixture that can be used as an upper fixture to convert a 3 point bending fixture to a 4 point

## 2.5kN Four Point Bending Fixture Articulating Rollers

This low force bending jig is supplied as standard with two upper supports each with one articulating rollers. Two lower supports fitted with one articulating roller. Rollers are interchangeable and selectable and one roller per support are supplied

Other roller sets are also available as additional accessories.

Part Number	01/4119
Span	4mm to 150mm
Upper roller diameter in mm	1,2,3,4,5,6,6.35,8,10,12 and 12.7
Lower roller diameter in mm	1,2,3,4,5,6,6.35,8,10,12 and 12.7
Force Rating	2.5kN
Fixing Method Upper	5/8 inch Female (15.9mm)
Fixing Method Lower	5/8 inch Female (15.9mm)
Material	Aluminium
Temperature Range	Ambient
Weight	1Kg (2.2lb) Minimum Load Cell 250N
Notes	



The 01/4119 upper and lower fixture that fits directly on to a 5/8 inch load cell eye end and the machine anchor pin

Lower and upper fixture length 200mm  
 Lower and upper support height 27mm  
 Lower and upper roller support width 30mm  
 Total height 67mm to center of roller diameter



To the left a roller support for the upper and lower parts of the fixture

## Accessories

### 2.5kN Four Point Bending Fixture Articulating Rollers

Part Number	Description
01/4138	Additional V Anvil For upper support to accept 1mm - 3.2mm Rollers
01/4139	Additional V Anvil For upper support to accept 4mm - 12.7mm Rollers
01/4140	Additional Rollers, Set of 3 Rollers Available in 1mm, 2mm, 3mm, 4mm, 5mm, 6mm, 6.35mm, 8mm, 10mm, 12mm and 12.7mm
01/4142	10mm roller 100mm wide

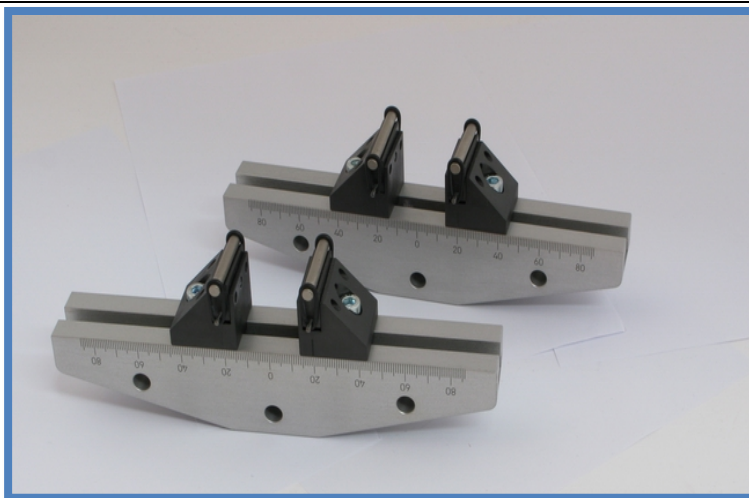


## 10kN Four Point Bending Fixture Articulating Rollers

This low force bending jig is supplied as standard with two upper supports each with one articulating rollers. Two lower supports fitted with one articulating roller. Rollers are interchangeable and selectable and one roller per support are supplied

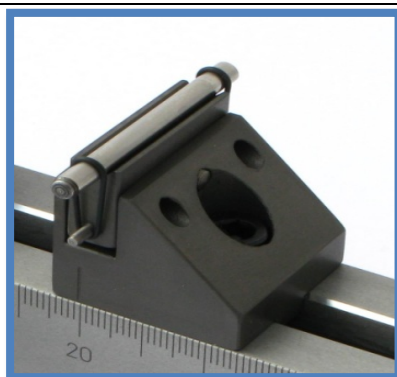
Other roller sets are also available as additional accessories.

Part Number	01/4120
Span	4mm to 150mm
Upper roller diameter in mm	1,2,3,4,5,6,6.35,8,10,12 and 12.7
Lower roller diameter in mm	1,2,3,4,5,6,6.35,8,10,12 and 12.7
Force Rating	10kN Maximum
Fixing Method Upper	5/8 inch Female (15.9mm)
Fixing Method Lower	5/8 inch Female (15.9mm)
Material	Steel
Temperature Range	Ambient
Weight	4Kg (8.8lb) Minimum Load Cell 250N
Notes	



The 01/4120 upper and lower fixture that fits directly on to a 5/8 inch load cell eye end and the machine anchor pin

Lower and upper fixture length 200mm  
 Lower and upper support height 27mm  
 Lower and upper roller support width 30mm  
 Total height 67mm to center of roller diameter



To the left a roller support for the upper and lower parts of the fixture

## Accessories

### 10kN Four Point Bending Fixture Articulating Rollers

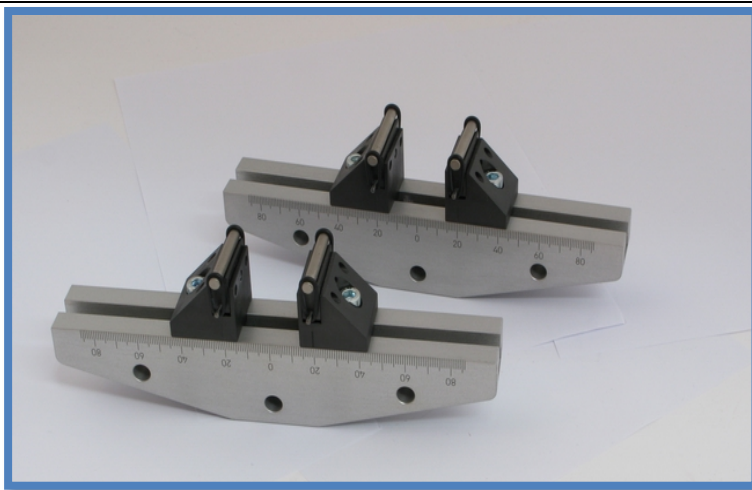
Part Number	Description
01/4138	Additional V Anvil For upper support to accept 1mm - 3.2mm Rollers
01/4139	Additional V Anvil For upper support to accept 4mm - 12.7mm Rollers
01/4140	Additional Rollers, Set of 3 Rollers Available in 1mm, 2mm, 3mm, 4mm, 5mm, 6mm, 6.35mm, 8mm, 10mm, 12mm and 12.7mm
01/4142	10mm roller 100mm wide

## 10kN Four Point Bending Fixture Articulating Rollers

This low force bending jig is supplied as standard with two upper supports each with one articulating rollers. Two lower supports fitted with one articulating roller. Rollers are interchangeable and selectable and one roller per support are supplied

Other roller sets are also available as additional accessories.

Part Number	01/4121
Span	4mm to 300mm
Upper roller diameter in mm	1,2,3,4,5,6,6.35,8,10,12 and 12.7
Lower roller diameter in mm	1,2,3,4,5,6,6.35,8,10,12 and 12.7
Force Rating	10kN
Fixing Method Upper	5/8 inch Female (15.9mm)
Fixing Method Lower	5/8 inch Female (15.9mm)
Material	Steel
Temperature Range	Ambient
Weight	5Kg (11lb) Minimum Load Cell 250N
Notes	



The 01/4121 upper and lower fixture that fits directly on to a 5/8 inch load cell eye end and the machine anchor pin

Lower and upper fixture length 300mm  
 Lower and upper support height 27mm  
 Lower and upper roller support width 30mm  
 Total height 67mm to center of roller diameter



To the left a roller support for the upper and lower parts of the fixture

## Accessories

### 10kN Four Point Bending Fixture Articulating Rollers

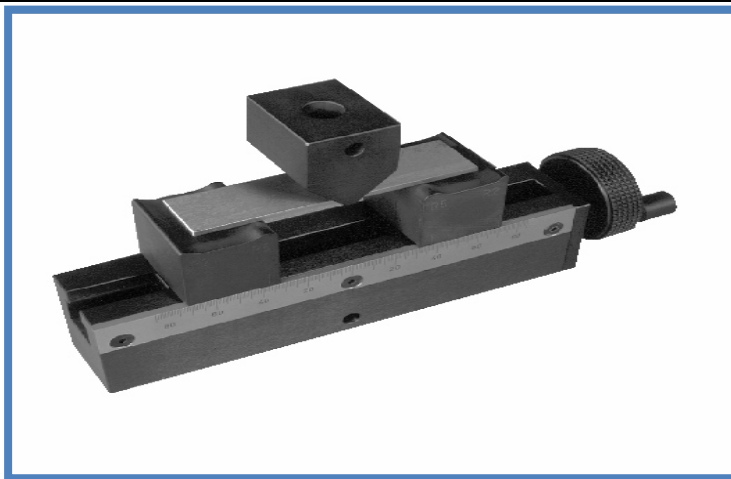
Part Number	Description
01/4138	Additional V Anvil For upper support to accept 1mm - 3.2mm Rollers
01/4139	Additional V Anvil For upper support to accept 4mm - 12.7mm Rollers
01/4140	Additional Rollers, Set of 3 Rollers Available in 1mm, 2mm, 3mm, 4mm, 5mm, 6mm, 6.35mm, 8mm, 10mm, 12mm and 12.7mm
01/4142	10mm roller 100mm wide

## 50kN Three Point Centric Bending Fixture with Hand Wheel Adjustment

A three point bending jig that has a screw driven wheel to adjust the span concentrically about the center of the fixture. Supplied with a set of three anvils, one upper and two lower, upper anvils have a choice of radii and lower anvils are reversible with different radii on each side.

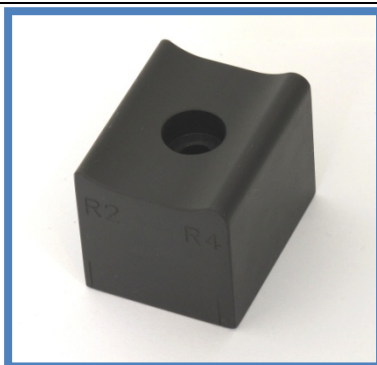
Other anvil sets are also available as additional accessories.

Part Number	01/4145
Span	10mm to 100mm
Upper Anvil Radii in mm	R3 or R5
Lower Anvil radii combinations	R2 & R4 or R3 & R5
Force Rating	50kN Maximum
Fixing Method Upper	1 ¼ inch (31.8mm)
Fixing Method Lower	1 ¼ inch (31.8mm)
Material	Steel
Temperature Range	-70 °C to +180 °C
Weight	1Kg (2.2lb) Minimum Load Cell 500N
Notes	Version without wheel available on request



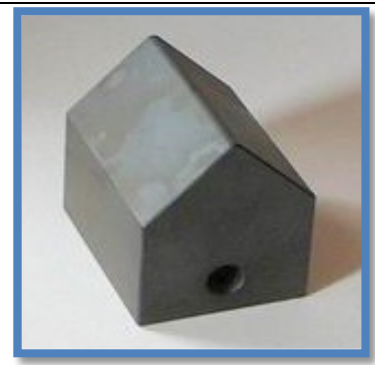
The 01/4145 shown with a sample and the upper anvil

Lower fixture length (exc hand wheel) 220mm  
Lower radii support height 49mm  
Lower radii support width 50mm  
Total height 99mm



To the left a dual radii support for the lower part of the fixture

To the right a single radii support for the upper part of the fixture



## Accessories

### 50kN Three Point Centric Bending Fixture with Hand Wheel Adjustment

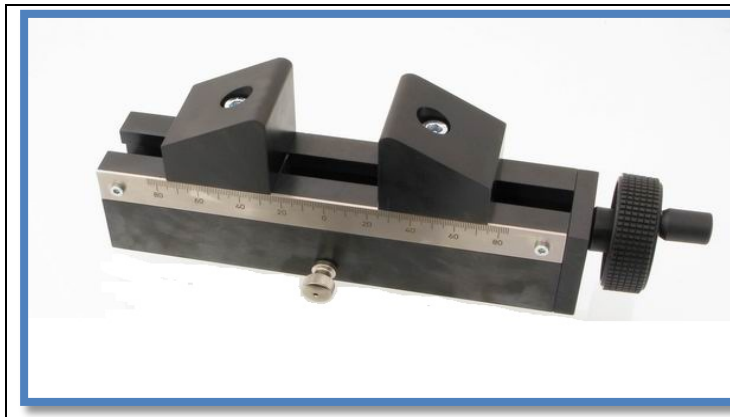
Part Number	Description
01/4148	Lower Support With 2mm and 4mm Radii
01/4149	Lower Support With 3mm and 5mm Radii
01/4150	Lower Support With 2mm and 5mm Radii
01/4151	Custom Made Lower Support with 2 radii on request
01/4152	Upper Anvil 5mm Radii
01/4153	Upper Anvil 3mm Radii
01/4154	Custom Made upper Support On request
01/4155	01/4147 Upper Fixture to Make 3 Point in to 4 Point Fixture
01/4156	Upper Supports For 4 Point Fixture as per 01/4145

## 50kN Three Point Centric Bending Fixture with Hand Wheel Adjustment

A three point bending jig that has a screw driven wheel to adjust the span concentrically about the center of the fixture. Supplied with a set of three anvils, one upper and two lower, upper anvils have single radii and lower anvils have single radii.

Other anvil sets are also available as additional accessories.

Part Number	01/4146
Span	10mm to 100mm
Upper Anvil Radii in mm	2mm, 3mm or 5mm
Lower Anvil radii in mm	2mm, 3mm or 5mm
Force Rating	50kN Maximum
Fixing Method Upper	1 ¼ inch (31.8mm)
Fixing Method Lower	1 ¼ inch (31.8mm)
Material	Steel
Temperature Range	-70 °C to +180 °C
Weight	1Kg (2.2lb) Minimum Load Cell 250N
Notes	Version without wheel available on request



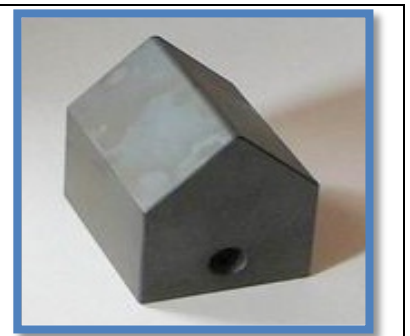
The 01/4146 shown with a sample and the upper anvil

Lower fixture length (exc hand wheel) 220mm  
Lower radii support height 49mm  
Lower radii support width 50mm  
Total height 99mm



To the left a single radii support for the lower part of the fixture

To the right a single radii support for the upper part of the fixture



## Accessories

## 50kN Three Point Centric Bending Fixture with Hand Wheel Adjustment

Part Number	Description
01/4148	Lower Support With 2mm and 4mm Radii
01/4149	Lower Support With 3mm and 5mm Radii
01/4150	Lower Support With 2mm and 5mm Radii
01/4151	Custom Made Lower Support with 2 radii on request
01/4152	Upper Anvil 5mm Radii
01/4153	Upper Anvil 3mm Radii
01/4154	Custom Made upper Support On request
01/4155	01/4147 Upper Fixture to Make 3 Point in to 4 Point Fixture
01/4156	Upper Supports For 4 Point Fixture as per 01/4145

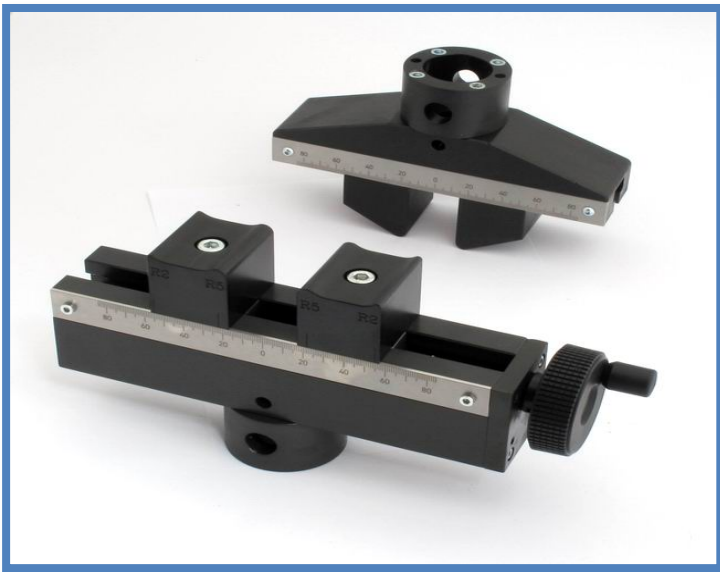


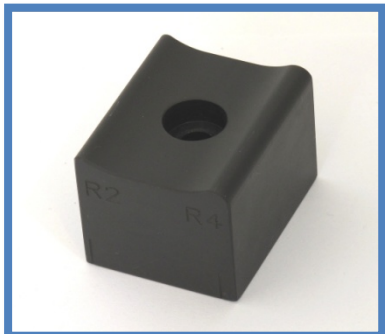
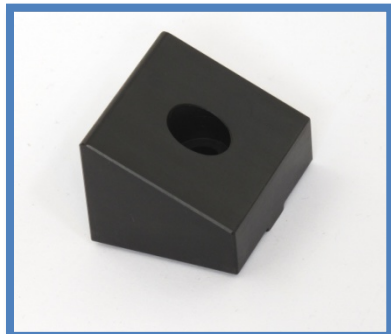
# 50kN Four Point Centric Bending Fixture with Hand Wheel Adjustment

A four point bending jig that has a screw driven wheel to adjust the span concentrically about the center of the lower fixture. Supplied with a set of two reversible anvils for the lower fixture and two fixed radii anvils for the upper fixture

Other anvil sets are also available as additional accessories.

Part Number	01/4147
Span	10mm to 100mm
Upper Anvil Radii in mm	R2
Lower Anvil radii in mm	R2 & R4 or R3 & R5
Force Rating	50kN Maximum
Fixing Method Upper	1 ¼ inch (31.8mm)
Fixing Method Lower	1 ¼ inch (31.8mm)
Material	Steel
Temperature Range	-70 °C to +180 °C
Weight	5Kg (2.2lb) Minimum Load Cell 500N
Notes	Version without wheel available on request

	<p>The 01/4147 shown with upper fixture</p> <p>Lower fixture length (exc hand wheel) 220mm</p> <p>Upper fixture length 200mm</p> <p>Lower radii support height 49mm</p> <p>Lower radii support width 50mm</p> <p>Total height 99mm</p>
---	--

	<p>To the left a dual radii support for the lower part of the fixture</p> <p>To the right a single radii support for the upper part of the fixture</p>	
---	--	---

## Accessories

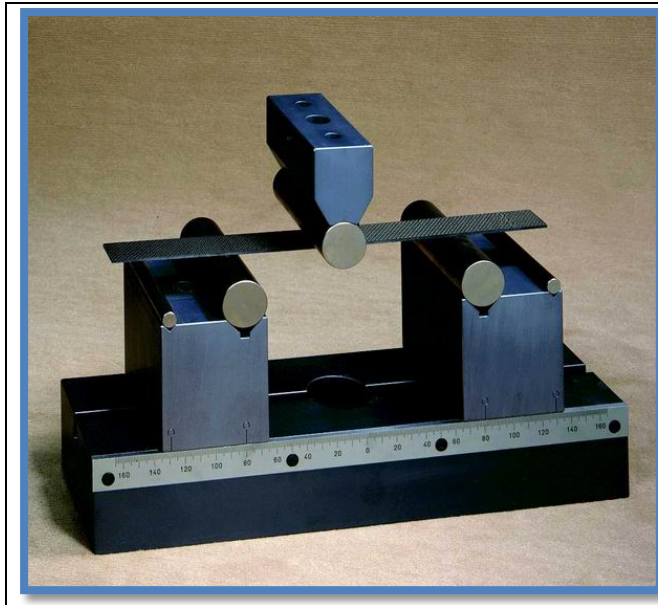
### 50kN Three Point Centric Bending Fixture with Hand Wheel Adjustment

Part Number	Description
01/4148	Lower Support With 2mm and 4mm Radii
01/4149	Lower Support With 3mm and 5mm Radii
01/4150	Lower Support With 2mm and 5mm Radii
01/4151	Custom Made Lower Support with 2 radii on request
01/4152	Upper Anvil 5mm Radii
01/4153	Upper Anvil 3mm Radii
01/4154	Custom Made upper Support On request

## 50kN Three Point Bending Fixture

A general purpose three point bending fixture supplied with three sets of interchangeable rollers and lower support block with two roller positions

Part Number	01/4157
Span	30mm to 250mm
Upper roller diameter in mm	10mm, 20mm and 30mm
Lower roller diameter in mm	10mm, 20mm and 30mm
Force Rating	50kN Maximum
Fixing Method Upper	1 ¼ inch Female (31.8mm)
Fixing Method Lower	1 ¼ inch Female (31.8mm)
Material	Aluminium
Temperature Range	-70° C to +180° C
Weight	1Kg (2.2lb) Minimum Load Cell 250N
Notes	



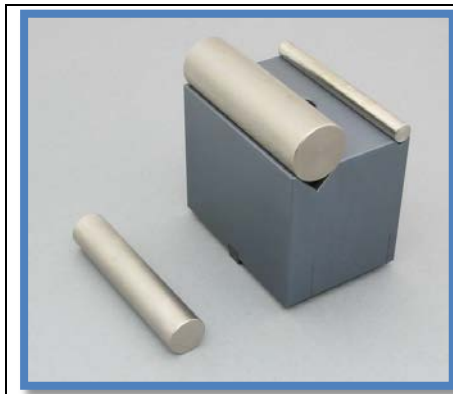
The 01/4157 shown with upper and lower fixture, 30mm diameter rollers and 10mm rollers

Lower fixture length 360mm

Lower support block height with 30mm roller 103mm

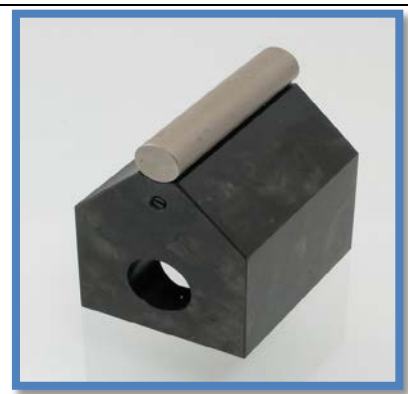
Total height with 30mm roller 163mm

Width of rollers 100mm



To the left a support block showing all three rollers

To the right an upper block with 20mm roller



## Accessories

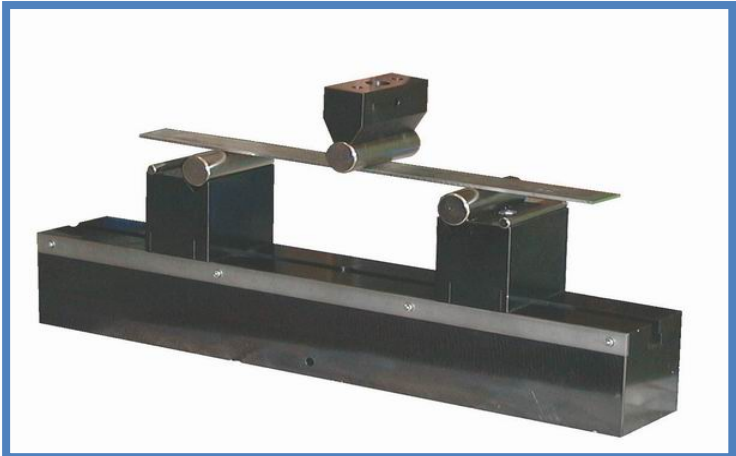
### 50kN Three Point Bending Fixture


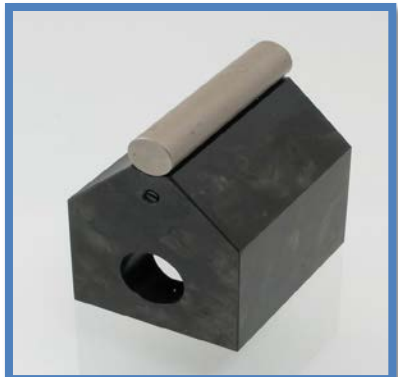
Part Number	Description
01/4175	Four point fixture 240mm length 35mm to 205mm span
01/4176	Four point fixture 500mm length 35mm to 465mm span
01/4178	Upper Anvil With adapter 15.9mm, inc 10mm, 20mm and 30mm rollers
01/4179	Upper Anvil With adapter 31.8mm, inc 10mm, 20mm and 30mm rollers
01/4180	Additional Round Supports, Set of 3 Supports, 100mm Wide, X Specifies The Diameter in mm 8mm to 100mm
01/4181	Angular Supports, Set of 3 Supports, 100mm Wide X Specifies The Radius 0.5mm to 50mm
01/4182	Special Support Diameter 30 Length 160mm
01/4183	Special Support Diameter 30 Length 300mm

## 50kN Three Point Bending Fixture

A general purpose three point bending fixture supplied with three sets of interchangeable rollers and lower support block with two roller positions

Part Number	01/4158
Span	30mm to 390mm
Upper roller diameter in mm	10mm, 20mm and 30mm
Lower roller diameter in mm	10mm, 20mm and 30mm
Force Rating	50kN Maximum
Fixing Method Upper	1 ¼ inch Female (31.8mm)
Fixing Method Lower	1 ¼ inch Female (31.8mm)
Material	Aluminium
Temperature Range	-70° C to +180° C
Weight	1Kg (2.2lb) Minimum Load Cell 250N
Notes	

	<p>The 01/4158 shown with upper and lower fixture, 30mm diameter rollers and 10mm rollers</p> <p>Lower fixture length 500mm</p> <p>Lower support block height with 30mm roller 103mm</p> <p>Total height with 30mm roller 163mm</p> <p>Width of rollers 100mm</p>
--	---

	<p>To the left a support block showing all three rollers</p> <p>To the right an upper block with 20mm roller</p>	
---	--	---

## Accessories

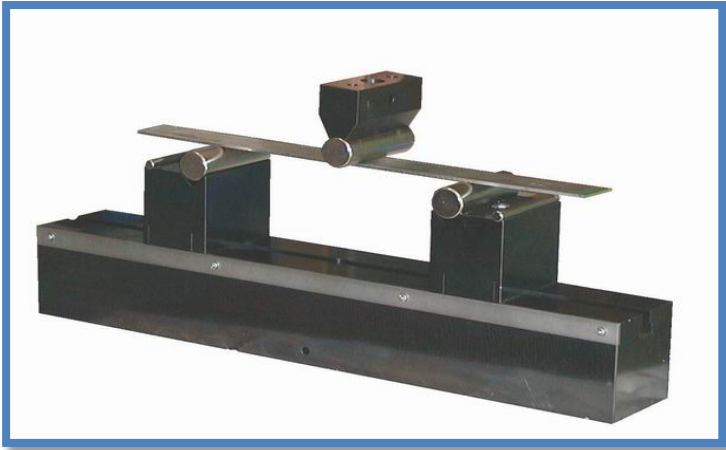
### 50kN Three Point Bending Fixture

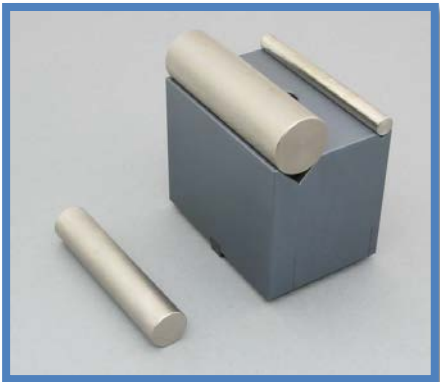
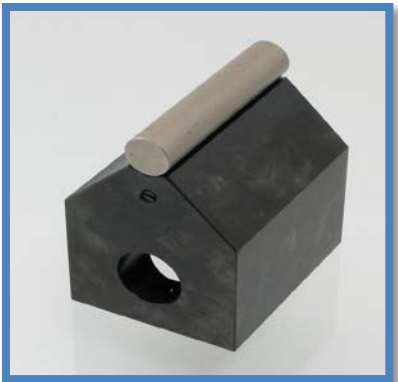
Part Number	Description
01/4175	Four point fixture 240mm length 35mm to 205mm span
01/4176	Four point fixture 500mm length 35mm to 465mm span
01/4178	Upper Anvil With adapter 15.9mm, inc 10mm, 20mm and 30mm rollers
01/4179	Upper Anvil With adapter 31.8mm, inc 10mm, 20mm and 30mm rollers
01/4180	Additional Round Supports, Set of 3 Supports, 100mm Wide, X Specifies The Diameter in mm 8mm to 100mm
01/4181	Angular Supports, Set of 3 Supports, 100mm Wide X Specifies The Radius 0.5mm to 50mm
01/4182	Special Support Diameter 30 Length 160mm
01/4183	Special Support Diameter 30 Length 300mm

## 50kN Three Point Bending Fixture

A general purpose three point bending fixture supplied with three sets of interchangeable rollers and lower support block with two roller positions

Part Number	01/4159
Span	30mm to 490mm
Upper roller diameter in mm	10mm, 20mm and 30mm
Lower roller diameter in mm	10mm, 20mm and 30mm
Force Rating	50kN Maximum
Fixing Method Upper	1 ¼ inch Female (31.8mm)
Fixing Method Lower	1 ¼ inch Female (31.8mm)
Material	Aluminium
Temperature Range	-70° C to +180° C
Weight	1Kg (2.2lb) Minimum Load Cell 250N
Notes	

	<p>The 01/4159 shown with upper and lower fixture, 30mm diameter rollers and 10mm rollers</p> <p>Lower fixture length 600mm</p> <p>Lower support block height with 30mm roller 103mm</p> <p>Total height with 30mm roller 163mm</p> <p>Width of rollers 100mm</p>
--	---

	<p>To the left a support block showing all three rollers</p> <p>To the right an upper block with 20mm roller</p>	
---	--	---

## Accessories

### 50kN Three Point Bending Fixture

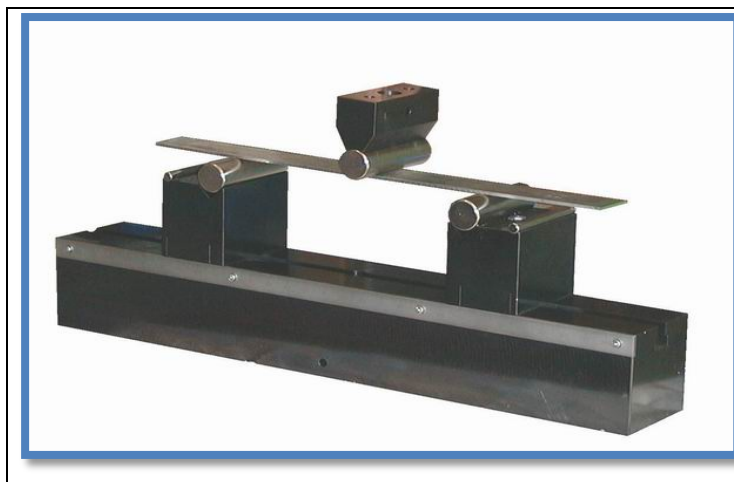
Part Number	Description
01/4175	Four point fixture 240mm length 35mm to 205mm span
01/4176	Four point fixture 500mm length 35mm to 465mm span
01/4178	Upper Anvil With adapter 15.9mm, inc 10mm, 20mm and 30mm rollers
01/4179	Upper Anvil With adapter 31.8mm, inc 10mm, 20mm and 30mm rollers
01/4180	Additional Round Supports, Set of 3 Supports, 100mm Wide, X Specifies The Diameter in mm 8mm to 100mm
01/4181	Angular Supports, Set of 3 Supports, 100mm Wide X Specifies The Radius 0.5mm to 50mm
01/4182	Special Support Diameter 30 Length 160mm
01/4183	Special Support Diameter 30 Length 300mm



## 50kN Three Point Bending Fixture

A general purpose three point bending fixture supplied with three sets of interchangeable rollers and lower support block with two roller positions

Part Number	01/4160
Span	30mm to 590mm
Upper roller diameter in mm	10mm, 20mm and 30mm
Lower roller diameter in mm	10mm, 20mm and 30mm
Force Rating	50kN Maximum
Fixing Method Upper	1 ¼ inch Female (31.8mm)
Fixing Method Lower	1 ¼ inch Female (31.8mm)
Material	Aluminium
Temperature Range	-70° C to +180° C
Weight	1Kg (2.2lb) Minimum Load Cell 250N
Notes	



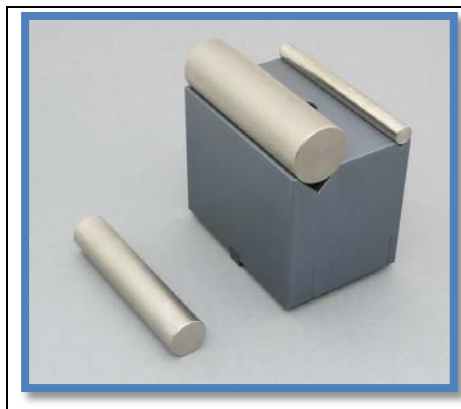
The 01/4160 shown with upper and lower fixture, 30mm diameter rollers and 10mm rollers

Lower fixture length 700mm

Lower support block height with 30mm roller 103mm

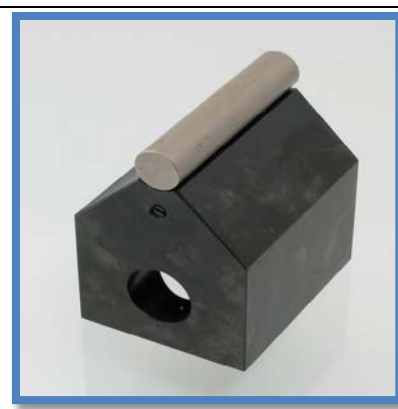
Total height with 30mm roller 163mm

Width of rollers 100mm



To the left a support block showing all three rollers

To the right an upper block with 20mm roller



## Accessories

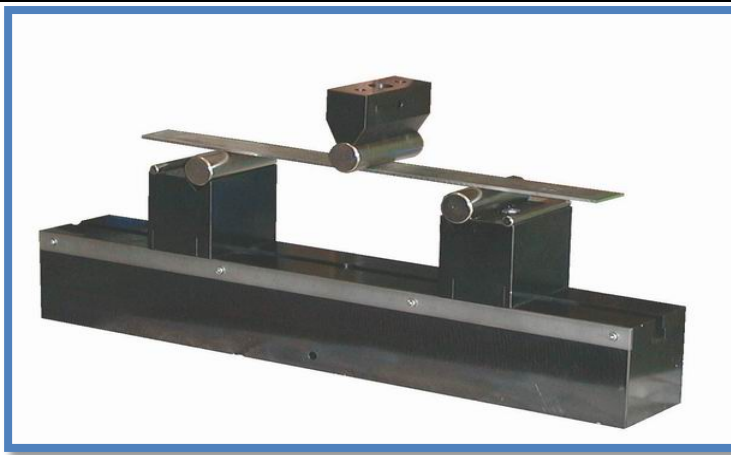
### 50kN Three Point Bending Fixture

Part Number	Description
01/4175	Four point fixture 240mm length 35mm to 205mm span
01/4176	Four point fixture 500mm length 35mm to 465mm span
01/4178	Upper Anvil With adapter 15.9mm, inc 10mm, 20mm and 30mm rollers
01/4179	Upper Anvil With adapter 31.8mm, inc 10mm, 20mm and 30mm rollers
01/4180	Additional Round Supports, Set of 3 Supports, 100mm Wide, X Specifies The Diameter in mm 8mm to 100mm
01/4181	Angular Supports, Set of 3 Supports, 100mm Wide X Specifies The Radius 0.5mm to 50mm
01/4182	Special Support Diameter 30 Length 160mm
01/4183	Special Support Diameter 30 Length 300mm

## 50kN Three Point Bending Fixture

A general purpose three point bending fixture supplied with three sets of interchangeable rollers and lower support block with two roller positions

Part Number	01/4161
Span	30mm to 690mm
Upper roller diameter in mm	10mm, 20mm and 30mm
Lower roller diameter in mm	10mm, 20mm and 30mm
Force Rating	50kN Maximum
Fixing Method Upper	1 ¼ inch Female (31.8mm)
Fixing Method Lower	1 ¼ inch Female (31.8mm)
Material	Aluminium
Temperature Range	-70° C to +180° C
Weight	1Kg (2.2lb) Minimum Load Cell 250N
Notes	



The 01/4161 shown with upper and lower fixture, 30mm diameter rollers and 10mm rollers

Lower fixture length 800mm

Lower support block height with 30mm roller 103mm

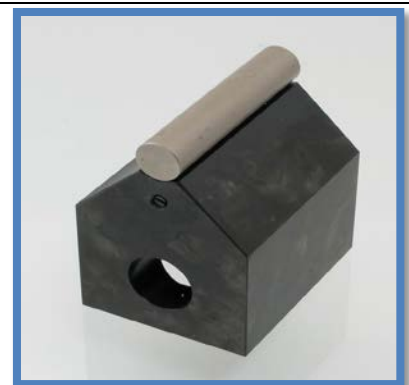
Total height with 30mm roller 163mm

Width of rollers 100mm



To the left a support block showing all three rollers

To the right an upper block with 20mm roller



## Accessories

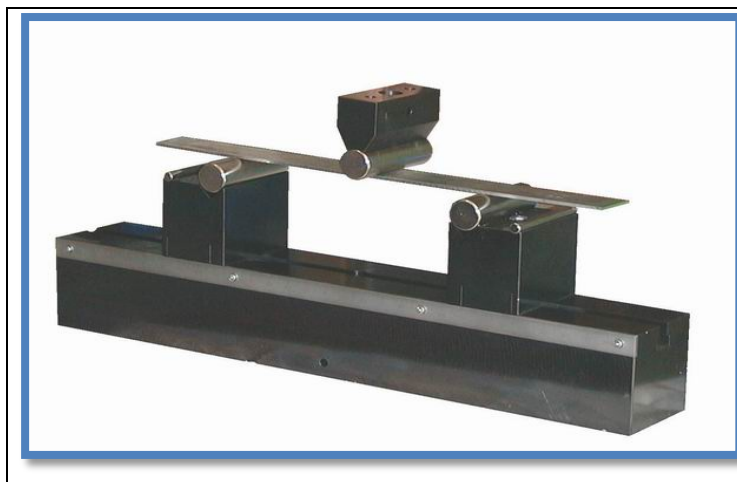
### 50kN Three Point Bending Fixture

Part Number	Description
01/4175	Four point fixture 240mm length 35mm to 205mm span
01/4176	Four point fixture 500mm length 35mm to 465mm span
01/4178	Upper Anvil With adapter 15.9mm, inc 10mm, 20mm and 30mm rollers
01/4179	Upper Anvil With adapter 31.8mm, inc 10mm, 20mm and 30mm rollers
01/4180	Additional Round Supports, Set of 3 Supports, 100mm Wide, X Specifies The Diameter in mm 8mm to 100mm
01/4181	Angular Supports, Set of 3 Supports, 100mm Wide X Specifies The Radius 0.5mm to 50mm
01/4182	Special Support Diameter 30 Length 160mm
01/4183	Special Support Diameter 30 Length 300mm

## 50kN Three Point Bending Fixture

A general purpose three point bending fixture supplied with three sets of interchangeable rollers and lower support block with two roller positions

Part Number	01/4162
Span	30mm to 790mm
Upper roller diameter in mm	10mm, 20mm and 30mm
Lower roller diameter in mm	10mm, 20mm and 30mm
Force Rating	50kN Maximum
Fixing Method Upper	1 ¼ inch Female (31.8mm)
Fixing Method Lower	1 ¼ inch Female (31.8mm)
Material	Aluminium
Temperature Range	-70° C to +180° C
Weight	1Kg (2.2lb) Minimum Load Cell 250N
Notes	



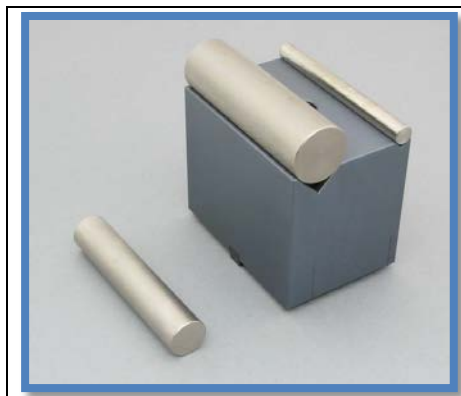
The 01/4162 shown with upper and lower fixture, 30mm diameter rollers and 10mm rollers

Lower fixture length 900mm

Lower support block height with 30mm roller 103mm

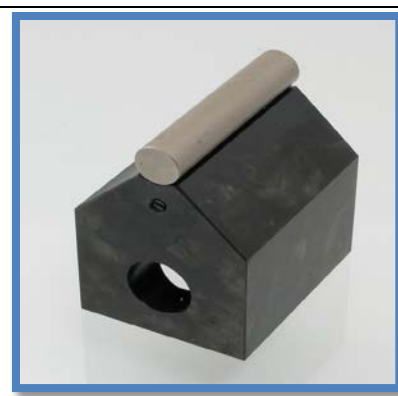
Total height with 30mm roller 163mm

Width of rollers 100mm



To the left a support block showing all three rollers

To the right an upper block with 20mm roller



## Accessories

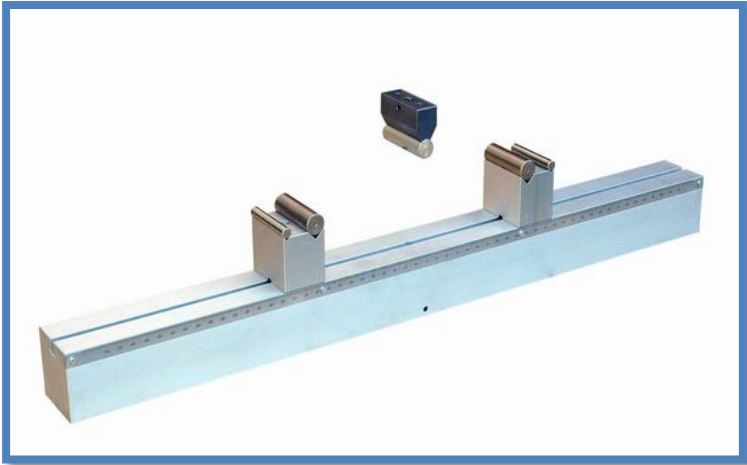
### 50kN Three Point Bending Fixture

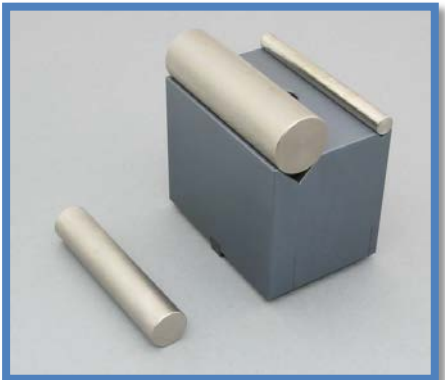
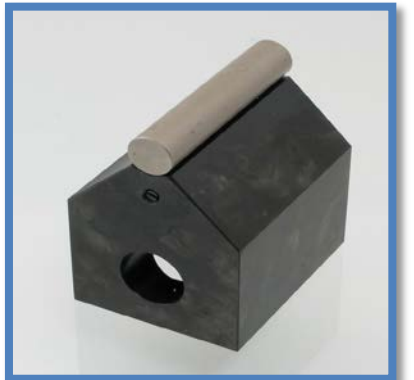
Part Number	Description
01/4175	Four point fixture 240mm length 35mm to 205mm span
01/4176	Four point fixture 500mm length 35mm to 465mm span
01/4178	Upper Anvil With adapter 15.9mm, inc 10mm, 20mm and 30mm rollers
01/4179	Upper Anvil With adapter 31.8mm, inc 10mm, 20mm and 30mm rollers
01/4180	Additional Round Supports, Set of 3 Supports, 100mm Wide, X Specifies The Diameter in mm 8mm to 100mm
01/4181	Angular Supports, Set of 3 Supports, 100mm Wide X Specifies The Radius 0.5mm to 50mm
01/4182	Special Support Diameter 30 Length 160mm
01/4183	Special Support Diameter 30 Length 300mm

## 50kN Three Point Bending Fixture

A general purpose three point bending fixture supplied with three sets of interchangeable rollers and lower support block with two roller positions

Part Number	01/4163
Span	30mm to 890mm
Upper roller diameter in mm	10mm, 20mm and 30mm
Lower roller diameter in mm	10mm, 20mm and 30mm
Force Rating	50kN Maximum
Fixing Method Upper	1 ¼ inch Female (31.8mm)
Fixing Method Lower	1 ¼ inch Female (31.8mm)
Material	Aluminium
Temperature Range	-70° C to +180° C
Weight	1Kg (2.2lb) Minimum Load Cell 250N
Notes	

	<p>The 01/4163 shown with upper and lower fixture, 30mm diameter rollers and 10mm rollers</p> <p>Lower fixture length 1000mm</p> <p>Lower support block height with 30mm roller 103mm</p> <p>Total height with 30mm roller 163mm</p> <p>Width of rollers 100mm</p>
--	--

	<p>To the left a support block showing all three rollers</p> <p>To the right an upper block with 20mm roller</p>	
---	--	---

## Accessories

### 50kN Three Point Bending Fixture

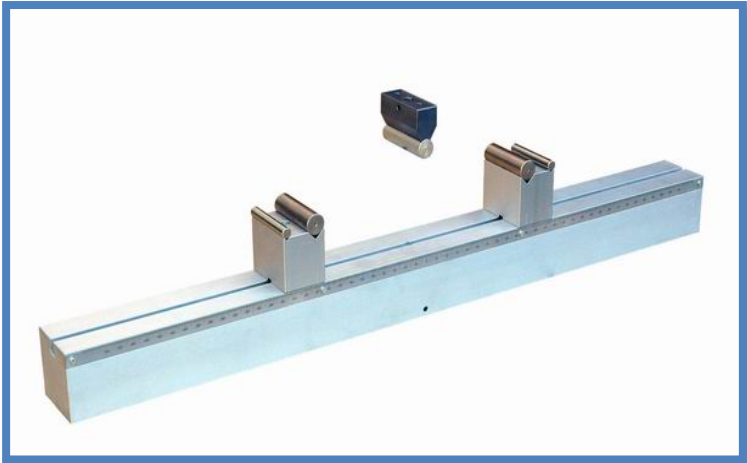
Part Number	Description
01/4175	Four point fixture 240mm length 35mm to 205mm span
01/4176	Four point fixture 500mm length 35mm to 465mm span
01/4178	Upper Anvil With adapter 15.9mm, inc 10mm, 20mm and 30mm rollers
01/4179	Upper Anvil With adapter 31.8mm, inc 10mm, 20mm and 30mm rollers
01/4180	Additional Round Supports, Set of 3 Supports, 100mm Wide, X Specifies The Diameter in mm 8mm to 100mm
01/4181	Angular Supports, Set of 3 Supports, 100mm Wide X Specifies The Radius 0.5mm to 50mm
01/4182	Special Support Diameter 30 Length 160mm
01/4183	Special Support Diameter 30 Length 300mm

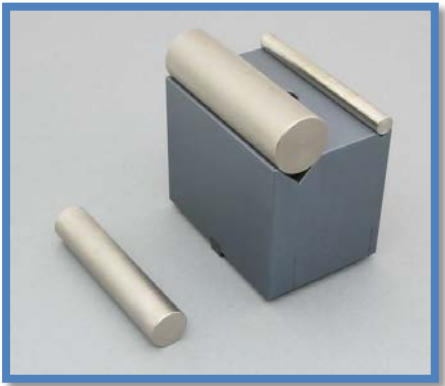
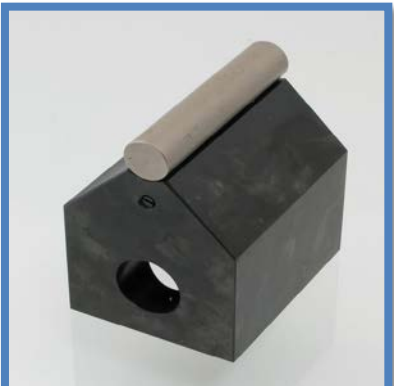


## 50kN Three Point Bending Fixture

A general purpose three point bending fixture supplied with three sets of interchangeable rollers and lower support block with two roller positions

Part Number	01/4164
Span	30mm to 990mm
Upper roller diameter in mm	10mm, 20mm and 30mm
Lower roller diameter in mm	10mm, 20mm and 30mm
Force Rating	50kN Maximum
Fixing Method Upper	1 ¼ inch Female (31.8mm)
Fixing Method Lower	1 ¼ inch Female (31.8mm)
Material	Aluminium
Temperature Range	-70° C to +180° C
Weight	1Kg (2.2lb) Minimum Load Cell 250N
Notes	

	<p>The 01/4164 shown with upper and lower fixture, 30mm diameter rollers and 10mm rollers</p> <p>Lower fixture length 1100mm</p> <p>Lower support block height with 30mm roller 103mm</p> <p>Total height with 30mm roller 163mm</p> <p>Width of rollers 100mm</p>
--	--

	<p>To the left a support block showing all three rollers</p> <p>To the right an upper block with 20mm roller</p>	
---	--	---

## Accessories

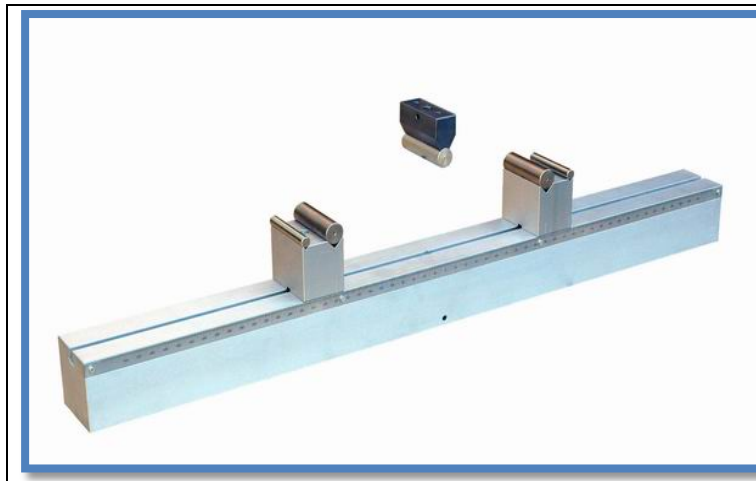
### 50kN Three Point Bending Fixture

Part Number	Description
01/4175	Four point fixture 240mm length 35mm to 205mm span
01/4176	Four point fixture 500mm length 35mm to 465mm span
01/4178	Upper Anvil With adapter 15.9mm, inc 10mm, 20mm and 30mm rollers
01/4179	Upper Anvil With adapter 31.8mm, inc 10mm, 20mm and 30mm rollers
01/4180	Additional Round Supports, Set of 3 Supports, 100mm Wide, X Specifies The Diameter in mm 8mm to 100mm
01/4181	Angular Supports, Set of 3 Supports, 100mm Wide X Specifies The Radius 0.5mm to 50mm
01/4182	Special Support Diameter 30 Length 160mm
01/4183	Special Support Diameter 30 Length 300mm

## 50kN Three Point Bending Fixture

A general purpose three point bending fixture supplied with three sets of interchangeable rollers and lower support block with two roller positions

Part Number	01/4165
Span	30mm to 1090mm
Upper roller diameter in mm	10mm, 20mm and 30mm
Lower roller diameter in mm	10mm, 20mm and 30mm
Force Rating	50kN Maximum
Fixing Method Upper	1 ¼ inch Female (31.8mm)
Fixing Method Lower	1 ¼ inch Female (31.8mm)
Material	Aluminium
Temperature Range	-70° C to +180° C
Weight	1Kg (2.2lb) Minimum Load Cell 250N
Notes	



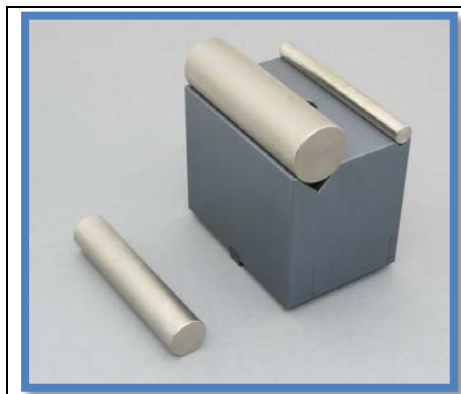
The 01/4165 shown with upper and lower fixture, 30mm diameter rollers and 10mm rollers

Lower fixture length 1200mm

Lower support block height with 30mm roller 103mm

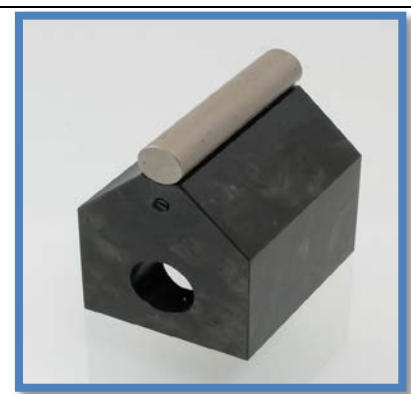
Total height with 30mm roller 163mm

Width of rollers 100mm



To the left a support block showing all three rollers

To the right an upper block with 20mm roller



## Accessories


### 50kN Three Point Bending Fixture



Part Number	Description
01/4175	Four point fixture 240mm length 35mm to 205mm span
01/4176	Four point fixture 500mm length 35mm to 465mm span
01/4178	Upper Anvil With adapter 15.9mm, inc 10mm, 20mm and 30mm rollers
01/4179	Upper Anvil With adapter 31.8mm, inc 10mm, 20mm and 30mm rollers
01/4180	Additional Round Supports, Set of 3 Supports, 100mm Wide, X Specifies The Diameter in mm 8mm to 100mm
01/4181	Angular Supports, Set of 3 Supports, 100mm Wide X Specifies The Radius 0.5mm to 50mm
01/4182	Special Support Diameter 30 Length 160mm
01/4183	Special Support Diameter 30 Length 300mm

## 100kN Three Point Bending Fixture

A general purpose three point bending fixture supplied with three sets of interchangeable rollers and lower support block with two roller positions

Part Number	01/4166
Span	30mm to 250mm
Upper roller diameter in mm	10mm, 20mm and 30mm
Lower roller diameter in mm	10mm, 20mm and 30mm
Force Rating	100kN Maximum
Fixing Method Upper	1 ¼ inch Female (31.8mm)
Fixing Method Lower	1 ¼ inch Female (31.8mm)
Material	Steel
Temperature Range	-70° C to +250° C
Weight	2Kg (4.4lb) Minimum Load Cell 500N
Notes	

	<p>The 01/4166 shown with lower fixture, 30mm diameter rollers and 10mm rollers, upper fixture with 30mm roller</p> <p>Lower fixture length 360mm</p> <p>Lower support block height with 30mm roller 103mm</p> <p>Total height with 30mm roller 163mm</p> <p>Width of rollers 100mm</p>
--	---

	<p>To the left a support block showing all three rollers</p> <p>To the right an upper block with 20mm roller</p>	
---	--	---

## Accessories


### 100kN Three Point Bending Fixture


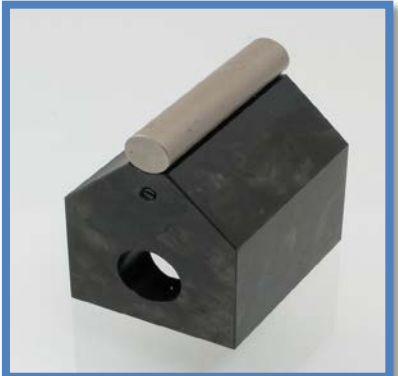
Part Number	Description
01/4177	Four point fixture 240mm length 35mm to 205mm span
01/4178	Upper Anvil With adapter 15.9mm, inc 10mm, 20mm and 30mm rollers
01/4179	Upper Anvil With adapter 31.8mm, inc 10mm, 20mm and 30mm rollers
01/4180	Additional Round Supports, Set of 3 Supports, 100mm Wide, X Specifies The Diameter in mm 8mm to 100mm
01/4181	Angular Supports, Set of 3 Supports, 100mm Wide X Specifies The Radius 0.5mm to 50mm
01/4182	Special Support Diameter 30 Length 160mm
01/4183	Special Support Diameter 30 Length 300mm

## 100kN Three Point Bending Fixture

A general purpose three point bending fixture supplied with three sets of interchangeable rollers and lower support block with two roller positions

Part Number	01/4167
Span	30mm to 390mm
Upper roller diameter in mm	10mm, 20mm and 30mm
Lower roller diameter in mm	10mm, 20mm and 30mm
Force Rating	100kN Maximum
Fixing Method Upper	1 ¼ inch Female (31.8mm)
Fixing Method Lower	1 ¼ inch Female (31.8mm)
Material	Steel
Temperature Range	-70° C to +250° C
Weight	2Kg (4.4lb) Minimum Load Cell 500N
Notes	

	<p>The 01/4167 shown with lower fixture, 30mm diameter rollers and 10mm rollers, upper fixture with 30mm roller</p> <p>Lower fixture length 500mm</p> <p>Lower support block height with 30mm roller 103mm</p> <p>Total height with 30mm roller 163mm</p> <p>Width of rollers 100mm</p>
--	---

	<p>To the left a support block showing all three rollers</p> <p>To the right an upper block with 20mm roller</p>	
---	--	---

## Accessories

### 100kN Three Point Bending Fixture

Part Number	Description
01/4177	Four point fixture 240mm length 35mm to 205mm span
01/4178	Upper Anvil With adapter 15.9mm, inc 10mm, 20mm and 30mm rollers
01/4179	Upper Anvil With adapter 31.8mm, inc 10mm, 20mm and 30mm rollers
01/4180	Additional Round Supports, Set of 3 Supports, 100mm Wide, X Specifies The Diameter in mm 8mm to 100mm
01/4181	Angular Supports, Set of 3 Supports, 100mm Wide X Specifies The Radius 0.5mm to 50mm
01/4182	Special Support Diameter 30 Length 160mm
01/4183	Special Support Diameter 30 Length 300mm





## 100kN Three Point Bending Fixture

A general purpose three point bending fixture supplied with three sets of interchangeable rollers and lower support block with two roller positions

Part Number	01/4168
Span	30mm to 490mm
Upper roller diameter in mm	10mm, 20mm and 30mm
Lower roller diameter in mm	10mm, 20mm and 30mm
Force Rating	100kN Maximum
Fixing Method Upper	1 ¼ inch Female (31.8mm)
Fixing Method Lower	1 ¼ inch Female (31.8mm)
Material	Steel
Temperature Range	-70° C to +250° C
Weight	2Kg (4.4lb) Minimum Load Cell 500N
Notes	

	<p>The 01/4168 shown with lower fixture, 30mm diameter rollers and 10mm rollers, upper fixture with 30mm roller</p> <p>Lower fixture length 600mm</p> <p>Lower support block height with 30mm roller 103mm</p> <p>Total height with 30mm roller 163mm</p> <p>Width of rollers 100mm</p>
--	---

	<p>To the left a support block showing all three rollers</p> <p>To the right an upper block with 20mm roller</p>	
---	--	---

## Accessories


### 100kN Three Point Bending Fixture



Part Number	Description
01/4177	Four point fixture 240mm length 35mm to 205mm span
01/4178	Upper Anvil With adapter 15.9mm, inc 10mm, 20mm and 30mm rollers
01/4179	Upper Anvil With adapter 31.8mm, inc 10mm, 20mm and 30mm rollers
01/4180	Additional Round Supports, Set of 3 Supports, 100mm Wide, X Specifies The Diameter in mm 8mm to 100mm
01/4181	Angular Supports, Set of 3 Supports, 100mm Wide X Specifies The Radius 0.5mm to 50mm
01/4182	Special Support Diameter 30 Length 160mm
01/4183	Special Support Diameter 30 Length 300mm

## 100kN Three Point Bending Fixture

A general purpose three point bending fixture supplied with three sets of interchangeable rollers and lower support block with two roller positions

Part Number	01/4169
Span	30mm to 590mm
Upper roller diameter in mm	10mm, 20mm and 30mm
Lower roller diameter in mm	10mm, 20mm and 30mm
Force Rating	100kN Maximum
Fixing Method Upper	1 ¼ inch Female (31.8mm)
Fixing Method Lower	1 ¼ inch Female (31.8mm)
Material	Steel
Temperature Range	-70° C to +250° C
Weight	2Kg (4.4lb) Minimum Load Cell 500N
Notes	

	<p>The 01/4169 shown with lower fixture, 30mm diameter rollers and 10mm rollers, upper fixture with 30mm roller</p> <p>Lower fixture length 700mm</p> <p>Lower support block height with 30mm roller 103mm</p> <p>Total height with 30mm roller 163mm</p> <p>Width of rollers 100mm</p>
--	---

	<p>To the left a support block showing all three rollers</p> <p>To the right an upper block with 20mm roller</p>	
---	--	---

## Accessories

### 100kN Three Point Bending Fixture



Part Number	Description
01/4177	Four point fixture 240mm length 35mm to 205mm span
01/4178	Upper Anvil With adapter 15.9mm, inc 10mm, 20mm and 30mm rollers
01/4179	Upper Anvil With adapter 31.8mm, inc 10mm, 20mm and 30mm rollers
01/4180	Additional Round Supports, Set of 3 Supports, 100mm Wide, X Specifies The Diameter in mm 8mm to 100mm
01/4181	Angular Supports, Set of 3 Supports, 100mm Wide X Specifies The Radius 0.5mm to 50mm
01/4182	Special Support Diameter 30 Length 160mm
01/4183	Special Support Diameter 30 Length 300mm

## 100kN Three Point Bending Fixture

A general purpose three point bending fixture supplied with three sets of interchangeable rollers and lower support block with two roller positions

Part Number	01/4170
Span	30mm to 690mm
Upper roller diameter in mm	10mm, 20mm and 30mm
Lower roller diameter in mm	10mm, 20mm and 30mm
Force Rating	100kN Maximum
Fixing Method Upper	1 ¼ inch Female (31.8mm)
Fixing Method Lower	1 ¼ inch Female (31.8mm)
Material	Steel
Temperature Range	-70° C to +250° C
Weight	2Kg (4.4lb) Minimum Load Cell 500N
Notes	

	<p>The 01/4170 shown with lower fixture, 30mm diameter rollers and 10mm rollers, upper fixture with 30mm roller</p> <p>Lower fixture length 800mm</p> <p>Lower support block height with 30mm roller 103mm</p> <p>Total height with 30mm roller 163mm</p> <p>Width of rollers 100mm</p>
--	---

	<p>To the left a support block showing all three rollers</p> <p>To the right an upper block with 20mm roller</p>	
---	--	---

## Accessories

### 100kN Three Point Bending Fixture

Part Number	Description
01/4177	Four point fixture 240mm length 35mm to 205mm span
01/4178	Upper Anvil With adapter 15.9mm, inc 10mm, 20mm and 30mm rollers
01/4179	Upper Anvil With adapter 31.8mm, inc 10mm, 20mm and 30mm rollers
01/4180	Additional Round Supports, Set of 3 Supports, 100mm Wide, X Specifies The Diameter in mm 8mm to 100mm
01/4181	Angular Supports, Set of 3 Supports, 100mm Wide X Specifies The Radius 0.5mm to 50mm
01/4182	Special Support Diameter 30 Length 160mm
01/4183	Special Support Diameter 30 Length 300mm

## 100kN Three Point Bending Fixture

A general purpose three point bending fixture supplied with three sets of interchangeable rollers and lower support block with two roller positions

Part Number	01/4171
Span	30mm to 790mm
Upper roller diameter in mm	10mm, 20mm and 30mm
Lower roller diameter in mm	10mm, 20mm and 30mm
Force Rating	100kN Maximum
Fixing Method Upper	1 ¼ inch Female (31.8mm)
Fixing Method Lower	1 ¼ inch Female (31.8mm)
Material	Steel
Temperature Range	-70° C to +250° C
Weight	2Kg (4.4lb) Minimum Load Cell 500N
Notes	



The 01/4171 shown with lower fixture, 30mm diameter rollers and 10mm rollers, upper fixture with 30mm roller

Lower fixture length 900mm

Lower support block height with 30mm roller 103mm

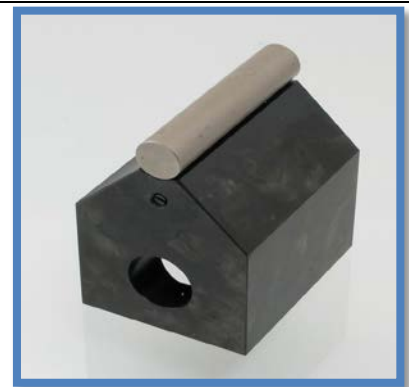
Total height with 30mm roller 163mm

Width of rollers 100mm



To the left a support block showing all three rollers

To the right an upper block with 20mm roller



## Accessories

### 100kN Three Point Bending Fixture


Part Number	Description
01/4177	Four point fixture 240mm length 35mm to 205mm span
01/4178	Upper Anvil With adapter 15.9mm, inc 10mm, 20mm and 30mm rollers
01/4179	Upper Anvil With adapter 31.8mm, inc 10mm, 20mm and 30mm rollers
01/4180	Additional Round Supports, Set of 3 Supports, 100mm Wide, X Specifies The Diameter in mm 8mm to 100mm
01/4181	Angular Supports, Set of 3 Supports, 100mm Wide X Specifies The Radius 0.5mm to 50mm
01/4182	Special Support Diameter 30 Length 160mm
01/4183	Special Support Diameter 30 Length 300mm


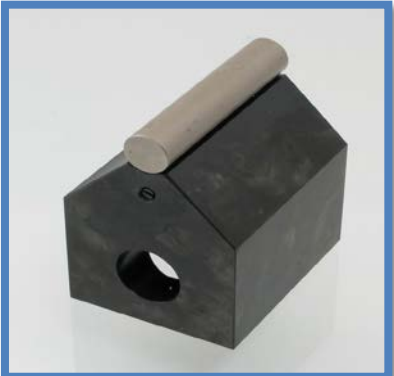


## 100kN Three Point Bending Fixture

A general purpose three point bending fixture supplied with three sets of interchangeable rollers and lower support block with two roller positions

Part Number	01/4172
Span	30mm to 890mm
Upper roller diameter in mm	10mm, 20mm and 30mm
Lower roller diameter in mm	10mm, 20mm and 30mm
Force Rating	100kN Maximum
Fixing Method Upper	1 ¼ inch Female (31.8mm)
Fixing Method Lower	1 ¼ inch Female (31.8mm)
Material	Steel
Temperature Range	-70° C to +250° C
Weight	2Kg (4.4lb) Minimum Load Cell 500N
Notes	

	<p>The 01/4172 shown with lower fixture, 30mm diameter rollers and 10mm rollers, upper fixture with 30mm roller</p> <p>Lower fixture length 1000mm</p> <p>Lower support block height with 30mm roller 103mm</p> <p>Total height with 30mm roller 163mm</p> <p>Width of rollers 100mm</p>
--	--

	<p>To the left a support block showing all three rollers</p> <p>To the right an upper block with 20mm roller</p>	
---	--	---

## Accessories


### 100kN Three Point Bending Fixture



Part Number	Description
01/4177	Four point fixture 240mm length 35mm to 205mm span
01/4178	Upper Anvil With adapter 15.9mm, inc 10mm, 20mm and 30mm rollers
01/4179	Upper Anvil With adapter 31.8mm, inc 10mm, 20mm and 30mm rollers
01/4180	Additional Round Supports, Set of 3 Supports, 100mm Wide, X Specifies The Diameter in mm 8mm to 100mm
01/4181	Angular Supports, Set of 3 Supports, 100mm Wide X Specifies The Radius 0.5mm to 50mm
01/4182	Special Support Diameter 30 Length 160mm
01/4183	Special Support Diameter 30 Length 300mm

## 100kN Three Point Bending Fixture

A general purpose three point bending fixture supplied with three sets of interchangeable rollers and lower support block with two roller positions

Part Number	01/4173
Span	30mm to 990mm
Upper roller diameter in mm	10mm, 20mm and 30mm
Lower roller diameter in mm	10mm, 20mm and 30mm
Force Rating	100kN Maximum
Fixing Method Upper	1 ¼ inch Female (31.8mm)
Fixing Method Lower	1 ¼ inch Female (31.8mm)
Material	Steel
Temperature Range	-70° C to +250° C
Weight	2Kg (4.4lb) Minimum Load Cell 500N
Notes	

	<p>The 01/4173 shown with lower fixture, 30mm diameter rollers and 10mm rollers, upper fixture with 30mm roller</p> <p>Lower fixture length 1100mm</p> <p>Lower support block height with 30mm roller 103mm</p> <p>Total height with 30mm roller 163mm</p> <p>Width of rollers 100mm</p>
--	--

	<p>To the left a support block showing all three rollers</p> <p>To the right an upper block with 20mm roller</p>	
---	--	---

## Accessories


### 100kN Three Point Bending Fixture



Part Number	Description
01/4177	Four point fixture 240mm length 35mm to 205mm span
01/4178	Upper Anvil With adapter 15.9mm, inc 10mm, 20mm and 30mm rollers
01/4179	Upper Anvil With adapter 31.8mm, inc 10mm, 20mm and 30mm rollers
01/4180	Additional Round Supports, Set of 3 Supports, 100mm Wide, X Specifies The Diameter in mm 8mm to 100mm
01/4181	Angular Supports, Set of 3 Supports, 100mm Wide X Specifies The Radius 0.5mm to 50mm
01/4182	Special Support Diameter 30 Length 160mm
01/4183	Special Support Diameter 30 Length 300mm

## 100kN Three Point Bending Fixture

A general purpose three point bending fixture supplied with three sets of interchangeable rollers and lower support block with two roller positions

Part Number	01/4174
Span	30mm to 1090mm
Upper roller diameter in mm	10mm, 20mm and 30mm
Lower roller diameter in mm	10mm, 20mm and 30mm
Force Rating	100kN Maximum
Fixing Method Upper	1 ¼ inch Female (31.8mm)
Fixing Method Lower	1 ¼ inch Female (31.8mm)
Material	Steel
Temperature Range	-70° C to +250° C
Weight	2Kg (4.4lb) Minimum Load Cell 500N
Notes	

	<p>The 01/4174 shown with lower fixture, 30mm diameter rollers and 10mm rollers, upper fixture with 30mm roller</p> <p>Lower fixture length 1200mm</p> <p>Lower support block height with 30mm roller 103mm</p> <p>Total height with 30mm roller 163mm</p> <p>Width of rollers 100mm</p>
--	--

	<p>To the left a support block showing all three rollers</p> <p>To the right an upper block with 20mm roller</p>	
---	--	---

## Accessories

### 100kN Three Point Bending Fixture

Part Number	Description
01/4177	Four point fixture 240mm length 35mm to 205mm span
01/4178	Upper Anvil With adapter 15.9mm, inc 10mm, 20mm and 30mm rollers
01/4179	Upper Anvil With adapter 31.8mm, inc 10mm, 20mm and 30mm rollers
01/4180	Additional Round Supports, Set of 3 Supports, 100mm Wide, X Specifies The Diameter in mm 8mm to 100mm
01/4181	Angular Supports, Set of 3 Supports, 100mm Wide X Specifies The Radius 0.5mm to 50mm
01/4182	Special Support Diameter 30 Length 160mm
01/4183	Special Support Diameter 30 Length 300mm